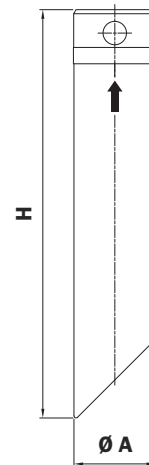


Standard Nylon extension tube
Supplied not fitted



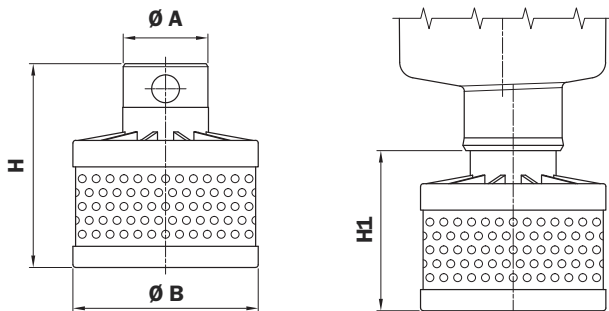
Code	H	Ø A	Size MPF (Option P01)	Filter Length
TE25A200	200	25	030	1
TE25A250	250			
TE25A300	300			
TE25A350	350			
TE25A400	400			
TE25A450	450			
TE25A500	500			
TE32A200	200	32	100 - 104 - 110	1 - 2
TE32A250	250			
TE32A300	300			
TE32A350	350			
TE32A400	400			
TE32A450	450			
TE32A500	500			
TE40A200	200	40	100 - 104 - 110	3 - 4
TE40A250	250			
TE40A300	300			
TE40A350	350		181 - 182 - 184	1 - 2
TE40A400	400			
TE40A450	450			
TE40A500	500			

Accessories

“H” Dimensions
Filter assembled with
standard Nylon extension tube



Diffuser with fast lock connection



Code	Ø A	Ø B	H	H1	Size MPF	Length
DFS32A075	32	70	75	50	100 - 104 110	1 - 2
DFS40A075	40	70	75	50	100 - 104 110	3 - 4

Tube extension Code	MPF...P01	Filter Length	H	Ø A	
TE25A200	030	1	265	25	
TE25A250			315		
TE25A300			365		
TE25A350			415		
TE25A400			465		
TE25A450			515		
TE25A500			565		
TE32A200	100 - 104 110	1	276	32	
TE32A250		2	323		
		1	326		
TE32A300		2	373		
		1	376		
TE32A350		2	426		
		1	426		
TE32A400		2	473		
		1	476		
TE32A450		2	523		
		1	526		
TE32A500		2	573		
		1	576		
TE40A200		100 - 104 110	3		400
	4		500		
	181 - 182	1	406		
		2	619		
	184	1	403		
		2	616		
	TE40A250	100 - 104 110	3	450	
			4	550	
		181 - 182	1	456	
			2	669	
184		1	453		
		2	666		
TE40A300	100 - 104 110	3	500		
		4	600		
	181 - 182	1	506		
		2	719		
	184	1	503		
		2	716		
TE40A350	100 - 104 110	3	550		
		4	650		
	181 - 182	1	556		
		2	769		
	184	1	553		
		2	766		
TE40A400	100 - 104 110	3	600		
		4	700		
	181 - 182	1	606		
		2	819		
	184	1	603		
		2	816		
TE40A450	100 - 104 110	3	650		
		4	750		
	181 - 182	1	656		
		2	869		
	184	1	653		
		2	866		
TE40A500	100 - 104 110	3	700		
		4	800		
	181 - 182	1	706		
		2	919		
	184	1	703		
		2	916		

Accessories

See ordering information:
 Option 10 page 58 - Option 9 page 59 - Option 9 page 61
 Filter MPF.....Sxx
 Filter assembly with Steel extension tube mounted
 (for filters MPF 191 - 192 - 194 - 400 - 410 - 450 - 451 - 750)

Series MPF	Filter Length	Ø A
191 - 192 - 194	2	52
400 - 410 - 450 - 451	1	52
400 - 410 - 450 - 451	2 - 3	65
750	1	65

Code Options 9	H*
S25	250 mm
S30	300 mm
S35	350 mm
S40	400 mm
S.... mm

* Lengths are in multiple of 50 mm

Filter code example:

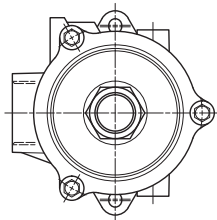
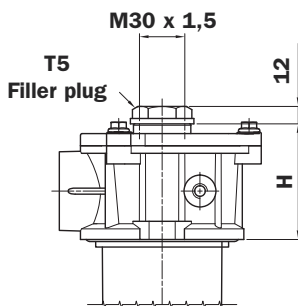
H = 250 mm

MPF 400 1 x xx xxx x x S25

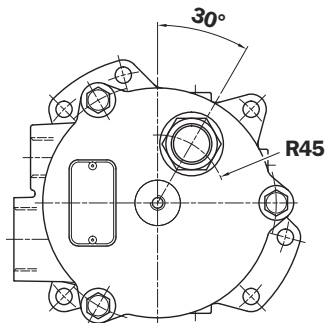
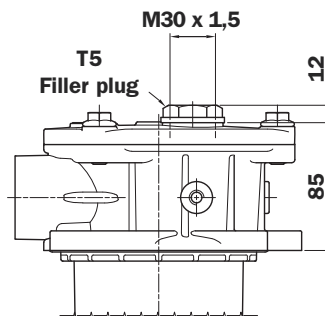


Filler Plug

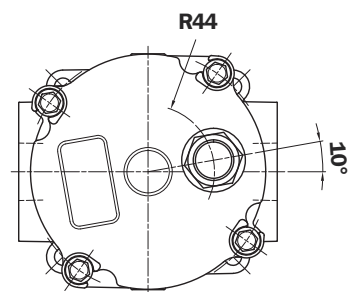
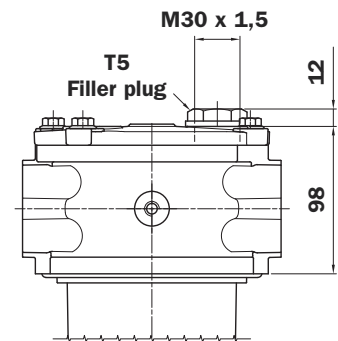
Size 030 - 100 - 104 - 110
 400 - 410 - 450 - 451 - 750



Size 181 - 182 - 191 - 192



Size 184 - 194



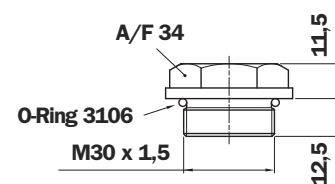
Series MPF	H
030	66
100 - 104 - 110	72
400 - 410	91
450 - 451	100
750	100

Filter with Filler Plug (on request)

Notes:

For MPF 030 - 750, if is required Filler Plug, the indicator can't be fitted.

T5 - Filler Plug



Accessories MPT - MPH



Air breather kit - Version "S" -

Filter without air breather (plugged)

Ordering code	Filter type
02031008	MPT 025 - MPT 027
02031012	MPT 110 - 114 MPH 110 - 114



Air breather kit - Version "C" -

Filter with 10 µm air breather

Ordering code	Filter type
02031009	MPT 025 - MPT 027
02031013	MPT 110 - 114 MPH 110 - 114



Air breather kit - Version "D" -

Filter with anti-splash and SAP50 10 µm air breather

Ordering code	Filter type
02031010	MPT 025 - MPT 027
02031014	MPT 110 - 114 MPH 110 - 114

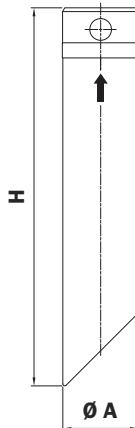
Air breather kit - Version "P" -

Filter with anti-splash, SAP50 10 µm, air breather and pressurization 0,5 bar

Ordering code	Filter type
02031011	MPT 025 - MPT 027
02031015	MPT 110 - 114 MPH 110 - 114

Accessories MPT

Standard Nylon extension tube
Supplied not fitted



“H” Dimension

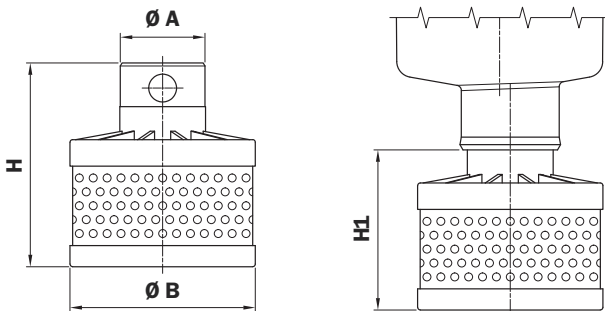
Filter assembled with standard Nylon extension tube



Code	H	Ø A	Size MPT (Option P01)	Filter Length
TE25A200	200	25	025 - 027	1 - 2 - 3
TE25A250	250			
TE25A300	300			
TE25A350	350			
TE25A400	400			
TE25A450	450			
TE25A500	500	32	101 - 104 110 - 120 114	1 - 2
TE32A200	200			
TE32A250	250			
TE32A300	300			
TE32A350	350			
TE32A400	400			
TE32A450	450			
TE32A500	500	40	101 - 104 110 - 120 114	3 - 4
TE40A200	200			
TE40A250	250			
TE40A300	300			
TE40A350	350			
TE40A400	400			
TE40A450	450			
TE40A500	500			

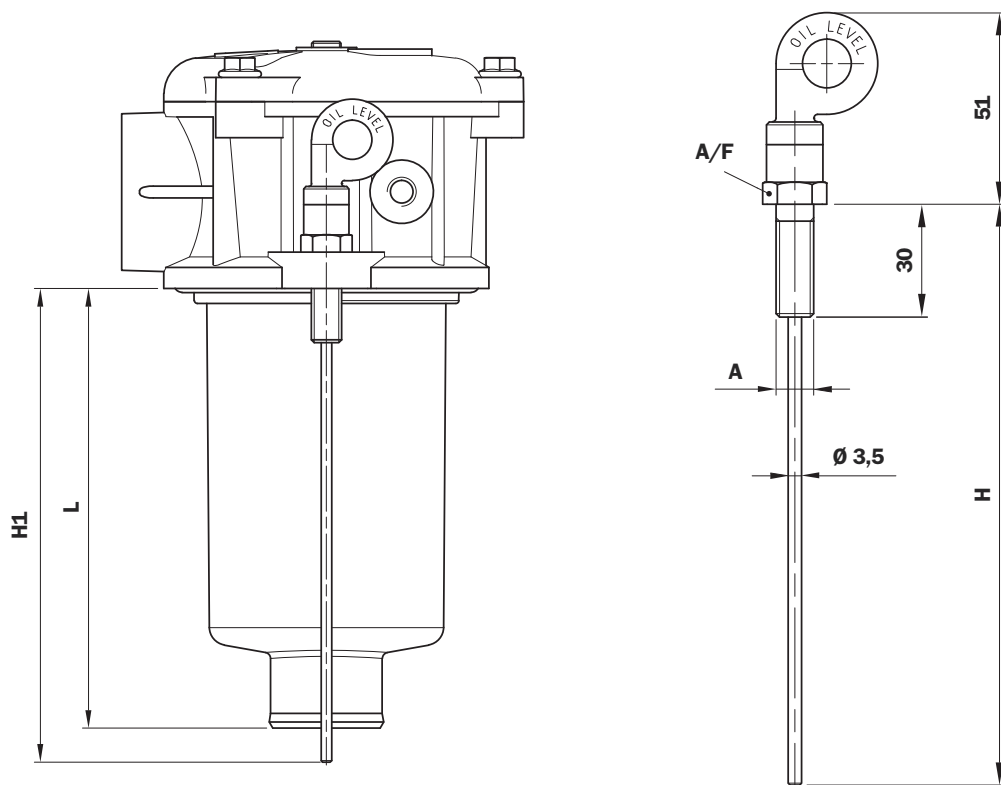
Tube extension Code	MPT...P01	Filter Length	H	Ø A	
TE25A200		1	282	25	
		2	346		
		3	385		
TE25A250		1	332		
		2	396		
		3	435		
TE25A300	025	1	382		
		2	446		
		3	485		
TE25A350	027	1	432		
		2	496		
		3	535		
TE25A400		1	482		
		2	546		
		3	585		
TE32A450		1	532		
		2	596		
		3	635		
TE32A500		1	582		
		2	646		
		3	685		
TE32A200	101	1	277		
		2	324		
TE32A250		104	1	327	
			2	374	
TE32A300		110	1	377	
			2	424	
TE32A350		114	1	427	
			2	474	
TE32A400		120	1	477	
			2	524	
TE32A450			1	527	
			2	574	
TE32A500			1	577	
			2	624	
TE40A200		101	3	402	
			4	504	
TE40A250			104	3	452
				4	554
TE40A300	110		3	502	
			4	604	
TE40A350	114		3	552	
			4	654	
TE40A400	120		3	602	
			4	704	
TE40A450			3	652	
			4	754	
TE40A500			3	702	
			4	804	

Diffuser with fast lock connection



Code	Ø A	Ø B	H	H1	Size MPT	Length
DFS32A075	32	70	75	50	101 - 104 110 - 114 120	1 - 2
DFS40A075	40	70	75	50	101 - 104 110 - 114 120	3 - 4

DPT - Dipstick



DPT

Model Filter	L (filter length)			
	1	2	3	4
MPT 025 - 027	103	167	206	-
MPF 100 - 104 - 110				
MPT 101 - 104 - 110 - 114 - 120	99	146	224	326
MPH 104 - 110 - 114 - 120				

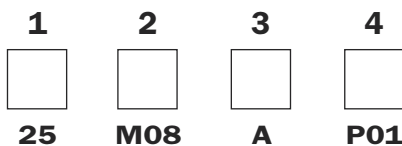
DPT length Code	H	H1 (filter model)	
		MPT 025 - 027	MPT 101 - 104 - 110 - 114 - 120 MPF 100 - 104 - 110
15	134	125	122
20	184	175	172
25	234	225	222
30	284	275	272
35	334	325	322

A	A/F
M8	13
M10	16

Ordering information DPT

Dipstick DPT

Example: DPT



1 - Dipstick length

-
-
-
-
-

2 - Connection to reservoir

- Fixing with M8 screws
- Fixing with M10 screws

3 - Seals

- NBR
- FPM

4 - Option

- MP Filtri standard