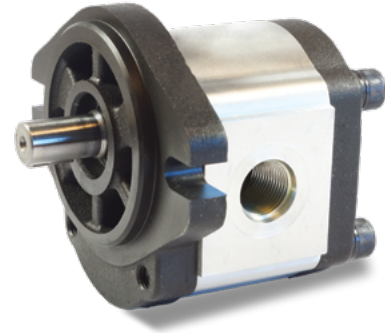


Hydraulic Gear Pump AP-20A



DESCRIPTION

- AP-20A is high pressure gear pump with cast iron end caps and an aluminum housing.
- Standard mounting flange is SAE A-2 bolt, 3.25" pilot.
- Standard ports are SAE-16 inlet and SAE-12 outlet.
- Standard drive shaft is 5/8" straight shaft with 5/32 key.
- Available options include 3/4" straight shaft with 3/16" key and SAE 9 tooth spline.



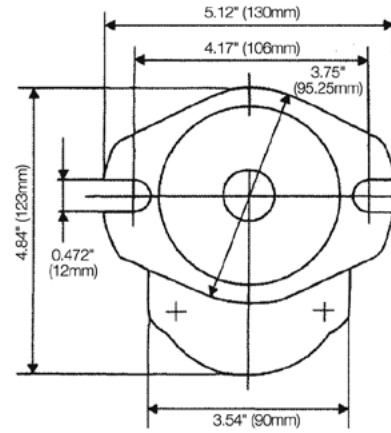
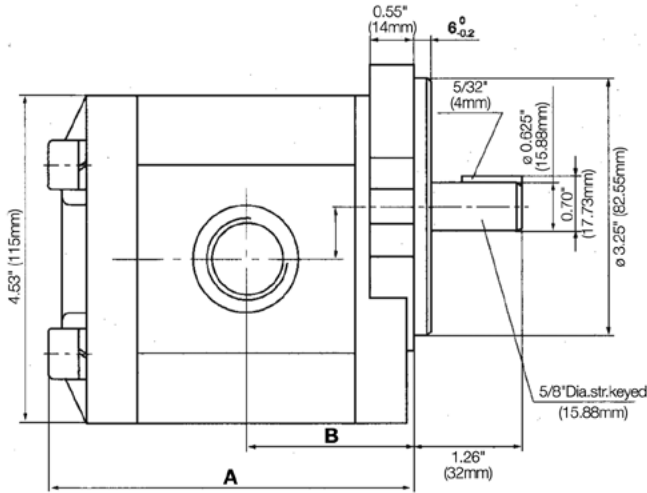
TECHNICAL DATA

- Filtration: 25 micron or better
- Oil Viscosity: 20 mm²/s - 100mm²/s
- Inlet Pressure: 12 to 32 psi absolute
- Temperature: Oil: -25°C to 80°C / -12°F to 175°F
Ambient: -22°C to 55°C / -8°F to 130°F

Model	GPM @ 1800 rpm	Displacement		Rated Pressure		Speed RPM		Weight	
		cm ³ /rev	cu.in/rev	PSI	BAR	Min.	Max.	Lbs.	Kg
AP-20A-25	11.84	25	1.52	3650	250	500	3000	11.36	5.15
AP-20A-27	12.55	27	1.61	3650	250	500	3000	11.58	5.25
AP-20A-30	14.26	30	1.83	3650	250	500	3000	11.8	5.35
AP-20A-32	15.19	32	1.95	3650	250	500	3000	12.02	5.45
AP-20A-40	19.01	40	2.44	3650	250	500	3000	12.46	5.65

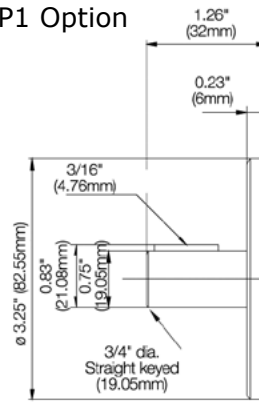
- Flow rate in gpm - Displacement (cu.in/rev) X speed (rpm)/231
- Volumetric efficiency % >93

INSTALLATION DATA

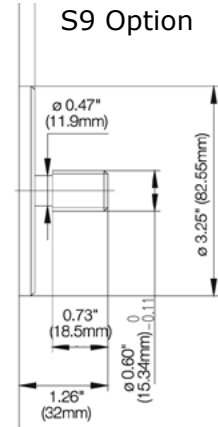


Model	A		B	
	mm	inch	mm	inch
AP-20A-25	130	5.12	62	2.44
AP-20A-27	132	5.20	63	2.48
AP-20A-30	137	5.39	65	2.56
AP-20A-32	139	5.47	66	2.60
AP-20A-40	148	5.83	70	2.76

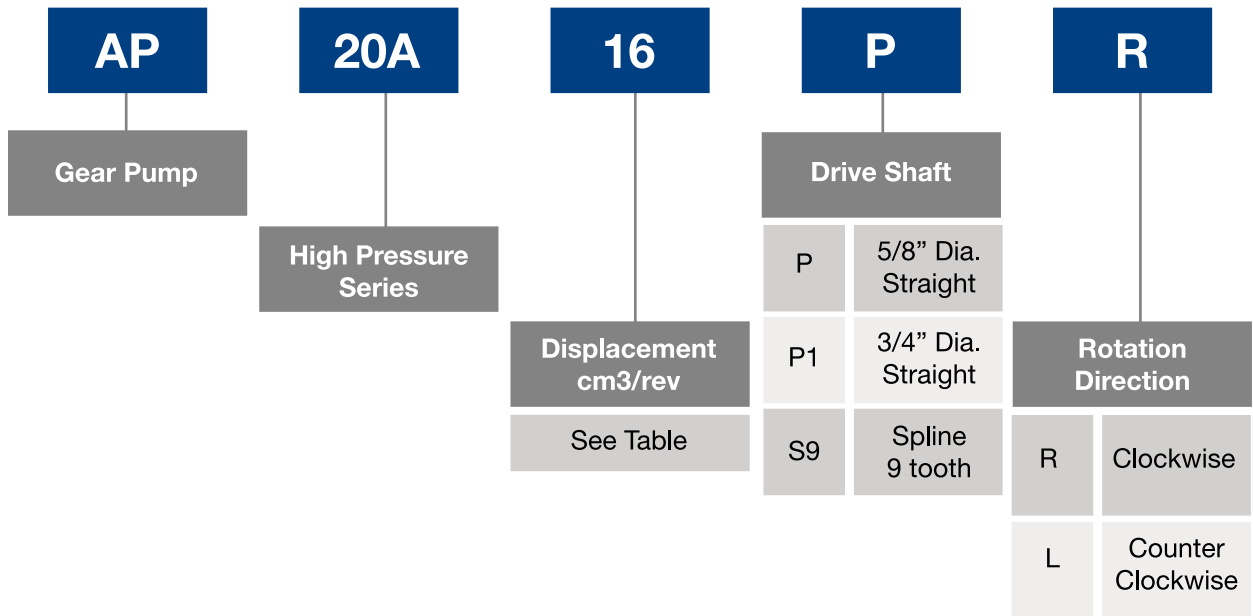
P1 Option



S9 Option



ORDERING INFORMATION



Viewed from drive shaft end