

Hydraulic Gear Pump AP-30



DESCRIPTION

- AP-30 is high pressure gear pump with cast iron end caps and an aluminum housing.
- Standard mounting flange is SAE B-2 bolt.
- Displacement 22-43 cc: SAE-16 inlet, SAE 12 outlet
Displacement 51-89 cc: SAE-20 inlet, SAE-16 outlet
- Drive shaft options include 7/8" 13 tooth spline and 7/8" straight shaft with 1/4" key.



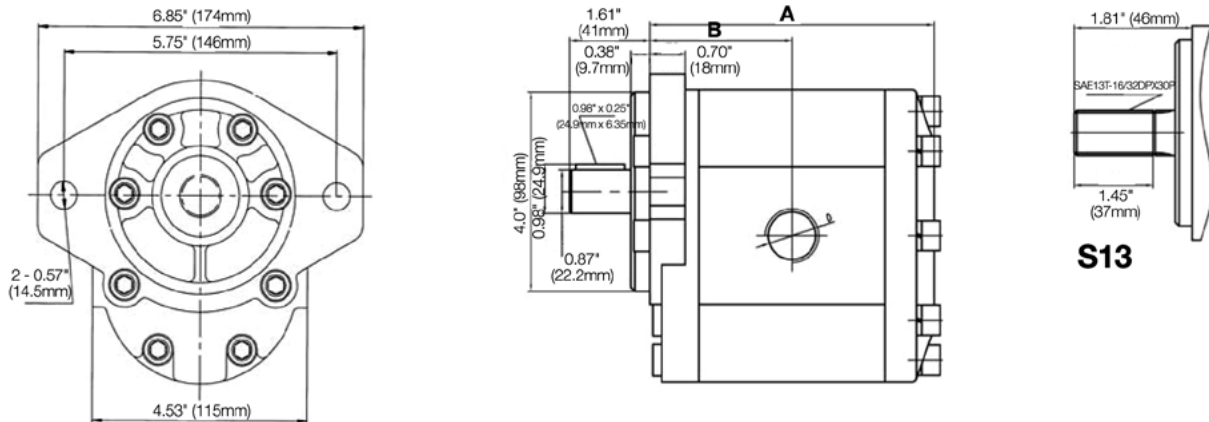
TECHNICAL DATA

- Filtration: 25 micron or better
- Oil Viscosity: 20 mm²/s - 100mm²/s
- Inlet Pressure: 12 to 32 psi absolute
- Temperature: Oil: -25°C to 80°C (-12°F to 175°F)
Ambient: -22°C to 55°C (-8°F to 130°F)

Model	GPM @ 1800 rpm	Displacement		Rated Pressure		Speed RPM		Weight	
		cm ³ /rev	cu.in/rev	PSI	BAR	Min.	Max.	Lbs.	Kg
AP-30-22	10.44	22	1.34	3650	250	400	3000	19.1	8.68
AP-30-26	12.38	26	1.59	3650	250	400	3000	19.35	8.8
AP-30-34	16.42	34	2.07	3650	250	400	3000	20.05	9.11
AP-30-39	18.55	39	2.38	3650	250	400	3000	20.22	9.19
AP-30-43	20.42	43	2.62	3650	250	400	2800	20.65	9.39
AP-30-51	24.23	51	3.11	3650	250	400	2400	21.60	9.82
AP-30-60	28.52	60	3.66	2900	200	400	2800	22.35	10.16
AP-30-70	33.27	70	4.27	2900	200	400	2500	22.79	10.36
AP-30-78	37.09	78	4.76	2900	200	400	2300	23.47	10.67
AP-30-89	42.31	89	5.43	2600	200	400	2000	24.18	11

- Flow rate in gpm - Displacement (cu.in/rev) X speed (rpm)/231
- Volumetric efficiency % >93

INSTALLATION DATA



Model	A		B		SAE Ports	
	mm	inch	mm	inch	in	out
AP-30-22	131	5.16	66	2.60	-16	-12
AP-30-26	134	5.27	67	2.63	-16	-12
AP-30-34	139	5.47	69	2.71	-16	-12
AP-30-39	143	5.62	71	2.79	-16	-12
AP-30-43	147	5.78	73	2.87	-16	-12
AP-30-51	152	5.98	76	2.99	-20	-16
AP-30-60	158	6.22	79	3.11	-20	-16
AP-30-70	166	6.53	82	3.22	-20	-16
AP-30-78	171	6.73	85	3.34	-20	-16
AP-30-89	176	6.93	88	3.46	-20	-16

ORDERING INFORMATION

AP	30	34	P4	R	-
Gear Pump	High Pressure Series	Displacement cm3/rev	Drive Shaft	Rotation Direction	Special Options
		See Table	P4 7/8" dia. Straight	R Clockwise	Consult Anfield
			S13 13 tooth Spline	L Counter Clockwise	

Viewed from drive shaft end