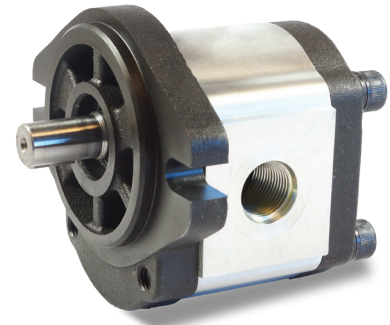


Hydraulic Gear Pump APQ-20



DESCRIPTION

- The APQ-20 is a high pressure hydraulic gear pump with cast iron end caps, aluminum housing and a 14 tooth gear set for quiet operation.
- Standard mounting flange is SAE A-2 bolt, 3.25" pilot.
- Standard ports are SAE-12 inlet and SAE-10 outlet.
- Optional rear ports available.
- Standard drive shaft is 5/8" straight shaft with 5/32" key.
- Optional shafts include an SAE 9 tooth spline and a 3/4" straight shaft with a 3/16" key.



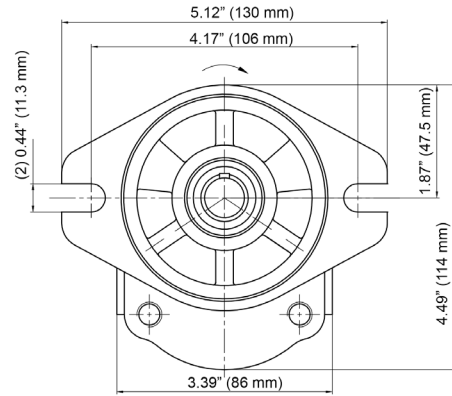
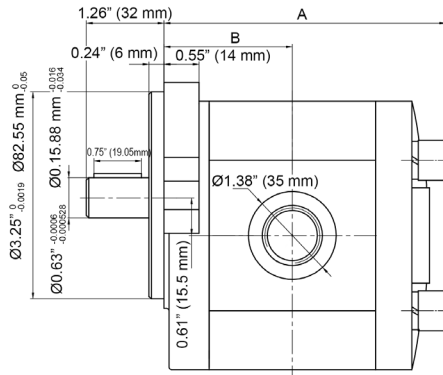
TECHNICAL DATA

- Filtration: 25 micron or better
- Oil Viscosity: 20 mm²/s - 100mm²/s
- Inlet Pressure: 12 to 32 psi absolute
- Temperature: Oil: -25°C to 80°C / -12°F to 175°F
Ambient: -22°C to 55°C / -8°F to 130°F
- Port Sizes: Inlet: SAE-12 (1-1/16"-12 UNF)
Outlet: SAE-10 (7/8"-14 UNF)

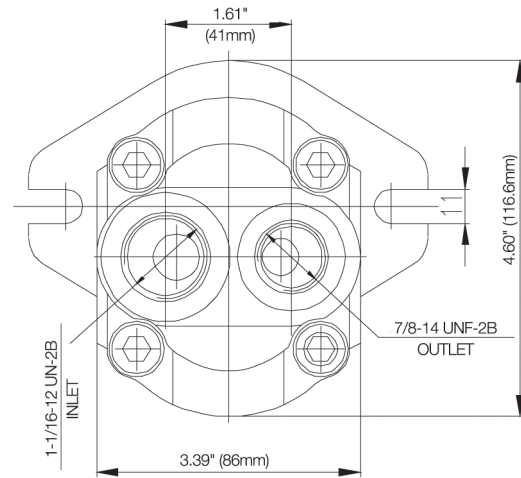
Model	GPM@1800 rpm	Displacement		Rated Pressure		Speed RPM		Weight	
		cm ³ /rev	in ³ /rev	PSI	BAR	Min	Max	lbs	Kg
APQ-20-4.5	2.14	4.50	0.275	2900	200	500	3000	7.8	3.54
APQ-20-6.0	2.80	6.0	0.36	2900	200	500	3000	8.35	3.80
APQ-20-7.0	3.35	7.0	0.43	2900	200	500	3000	8.40	3.75
APQ-20-8.0	3.74	8.0	0.48	2900	200	500	3000	8.61	3.90
APQ-20-10	4.75	10	0.61	2900	200	500	3000	8.72	3.95
APQ-20-12	5.69	12	0.73	2900	200	500	3000	8.91	4.04
APQ-20-14	6.62	14	0.85	2900	200	500	3000	9.00	4.08
APQ-20-16	7.56	16	0.97	2900	200	500	3000	9.27	4.20
APQ-20-20	9.51	20	1.22	2900	200	500	3000	9.73	4.41
APQ-20-22	10.44	23	1.34	2900	200	500	3000	9.90	4.49
APQ-20-25	11.84	25	1.52	2900	200	500	3000	10.19	4.62

- Flow rate in gpm - Displacement (cu.in/rev) X speed (rpm)/231
- Volumetric efficiency % >93

INSTALLATION DATA



Model	A		B	
	mm	inches	mm	inches
APQ-20-4.5	98.3	3.87	44.2	1.74
APQ-20-6.0	101	3.98	45.5	1.79
APQ-20-7.0	103	4.06	46.5	1.83
APQ-20-8.0	105	4.13	47.5	1.87
APQ-20-10	108.5	4.27	49.3	1.94
APQ-20-12	112.5	4.43	51.3	2.02
APQ-20-14	116	4.57	53	2.09
APQ-20-16	119.5	4.70	54.8	2.16
APQ-20-20	127	5.00	58.5	2.30
APQ-20-22	132.5	5.22	61.3	2.41
APQ-20-25	136	5.35	63	2.48



* Special order, For P1 diagram see page 13

ORDERING INFORMATION

Ordering Example Model Series **APQ-20** Displacement **16** Drive Shaft **P** Rotation **L** Port Location **R** Options

Model Series	Displacement	Drive Shaft	Rotation Direction	Port Location
APQ-20	See Table on pg 10	P = 5/8" Diameter Straight P1 = 3/4" Diameter Straight S9 = Spline 9 tooth	R = Clockwise L = Counter Clockwise (viewed from drive shaft end)	Blank = Side (Standard) R = Rear

** For different seals, or special requests, please consult Anfield