

Orbital Motors

Low Speed, High Torque Motors

BMJ

Series



ANFIELD Orbital Motor Catalog BMJ Rev.-



Strength in Products,
Strength in Service

BMJ SERIES HYDRAULIC MOTOR

BMJ series motor adapt the advanced Geroler gear set designed with high speed distribution flow and high pressure, and have good stability in low speed , and can keep high volume efficiency. The unit can be supplied the individual variant in operating multifunction in accordance with requirement of applications.

Characteristic features:

* Advanced manufacturing devices for the Geroler gear set, which use low pressure of start-up, provide smooth and reliable operation and high efficiency.

* The output shaft adapts in needle roller bearings that permit high axial and radial forces. The case can offers capacities of high pressure and high torque in the wide of applications.

* Advanced design in high speed distribution flow, which can automatically compensate in operating with high volume efficiency and long life , provide smooth and reliable operation.

* Lowest leakage rate, most accurate timing methods. Commutator rotates 6x faster than shaft speed. It make the distribution in a high precision reduces life-cycle cost, maintain high volume efficiencies and can run very smoothly at low speed, gear box not required.



Main Specification

Type	BMJ 65	BMJ 80	BMJ 100	BMJ 125	BMJ 160	BMJ 200	BMJ 230	BMJ 250	BMJ 295	BMJ 315	BMJ 375
Geometric displacement (cm ³ /rev.)	66.8	81.3	101.6	127	157.2	193.6	226	257	287.8	314.5	370
Max. speed (rpm)	cont.	667	543	439	350	283	229	247	216	196	152
	int.	842	689	553	441	355	289	328	287	254	199
Max. torque (N•m)	cont.	126	157	191	245	307	382	378	381	393	439
	int.	176	215	268	335	422	520	528	543	547	613
Max. output (kW)	cont.	8.3	8.8	7.9	8.9	8.9	9	9.9	9.3	8.7	7.6
	int.	13.9	14.4	13.5	14.1	15.6	15.7	17.9	16.5	15.6	14
Max. pressure (MPa)	cont.	14	14	14	14	14	14	12	11	10	9
	int.	19	19	19	19	19	19	165	15.5	14.5	13.5
	peak	20	20	20	20	20	20	18	18	17	16
Max. flow (L/min)	cont.	45	45	45	45	45	45	57	57	57	57
	int.	57	57	57	57	57	57	75	75	75	75

* Continuous pressure:Max. value of operating motor continuously.

* Intermittent pressure:Max. value of operating motor in 6 seconds per minute.

* Peak pressure:Max. value of operating motor in 0.6 second per minute.

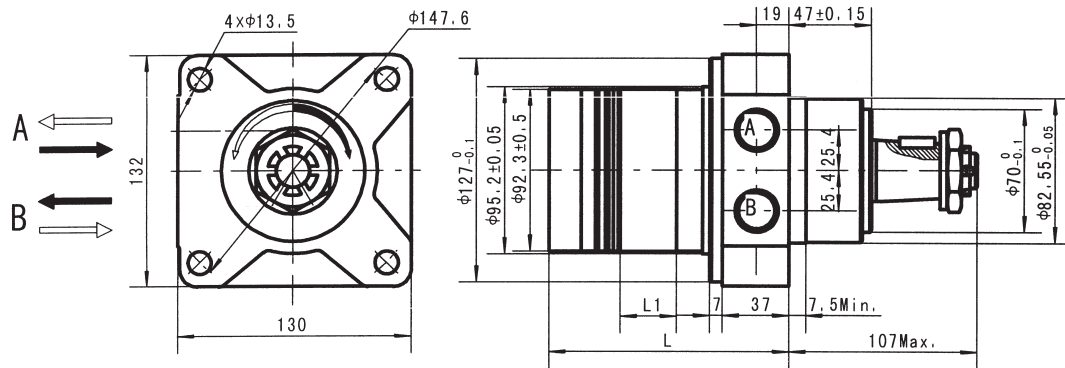
BMJ DIMENSIONS MOUNTING DATA

Wheel Mount

Code : WS Ports A, B 7/8-14 O-Ring

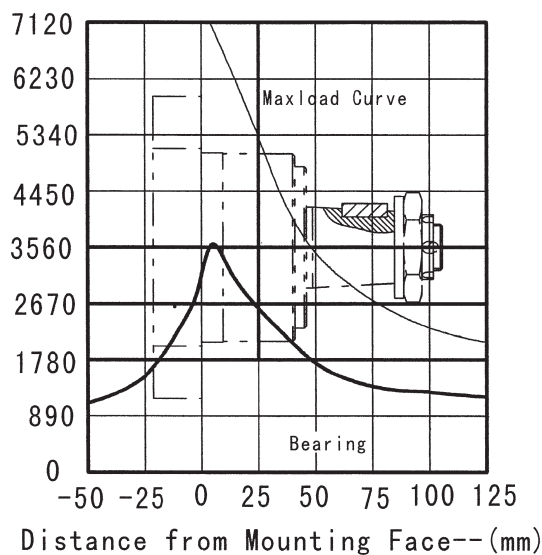
Code : WD Ports A, B G1/2

Code : WM Ports A, B M22x1.5



Displacement (cm ³ /rev.)	65	80	100	125	160	200	230	250	295	315	375
L1(mm)	13	16	20	25	30.5	38.1	44	50	56	62	74
L(mm)	115	118	122	127	132.5	140	146	152	158	164	176
Weight(kg)	9	9.1	10.4	10.6	10.9	11.3	11.8	12.2	12.6	12.9	13.4

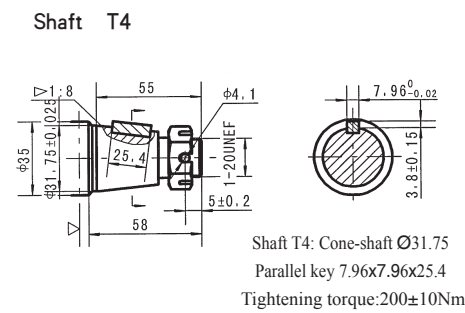
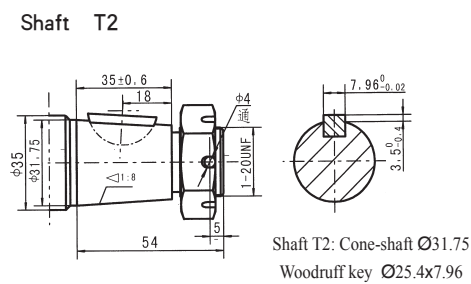
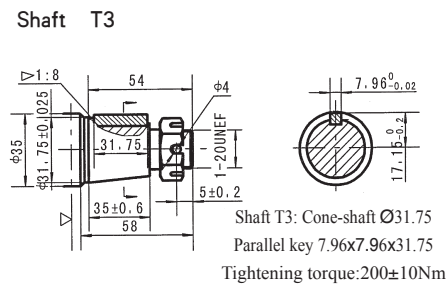
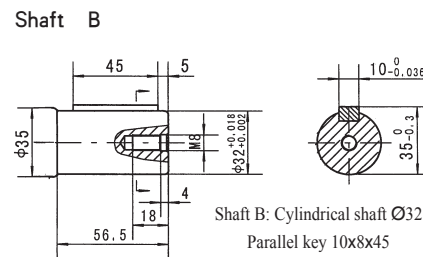
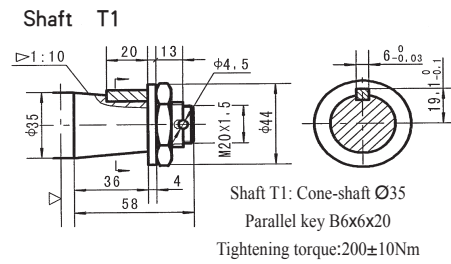
Side Load-(daN)



The bearing curve represents allowable bearing loads for an L₁₀ bearing life at 3×10⁶ revolutions.

The maximum load curve is defined by bearing static load capacity, This curve should not be exceeded at any time including shock loads.

BMJ Shaft Extensions For Dimensions Data



▷ Motor Mounting Surface

Order Information



Pos.1	2	3	4	5	6	7
Code	Disp.	Flange , Pilot , Ports	Output Shaft	Rotation direction	Paint	Unusually function
	65	WS 4-Ø13.5 Wheel-flange, Pilot Ø82.55x7, Port 7/8-14 O-ring WD 4-Ø13.5 Wheel-flange, Pilot Ø82.55x7, Port G1/2 WM 4-Ø13.5 Wheel-flange, Pilot Ø82.55x7, Port M22x1.5	T1 Cone-Shaft Ø35,Parallel key B6x6x20 T2 Cone-Shaft Ø31.75,Woodruff key ø25.4x7.96 T3 Cone-Shaft Ø31.75,Parallel key 7.96x7.96x31.75 T4 Cone-Shaft Ø31.75,Parallel key 7.96x7.96x25.4 B Cylindrical Shaft Ø32,Parallel key 10x8x45	Omit Standard Opposite R	00 Omit B S	No paint Blue Black Silver Grey
	80					
	100					
	125					
Omit	160 200 230 250 295 315 375					

Note:When the table is used, please fill the code of left rows in the table and give us, which the code information is consists of construction, displacement, mounting flange, output shaft and ports. If the specification is not in the table or you have specific requirements, please contact us.

Strength in Products, Strength in Service

- Pressure Switches
- Temperature Switches
- Differential Switches
- Level Switches
- Vacuum Switches
- Transducers
- Gear Pumps
- Vane Pumps
- Dump Pumps
- Variable Piston Pumps
- Orbital Motors
- Vane Motors
- Gear Motors
- Monoblock Valves
- High Pressure Ball Valves
- Flow Controls & Needle Valves
- Drive Couplings
- Flanges
- Gauges
- Test Points

ANFIELD Orbital Motor Catalog BMJ Rev.-



Anfield Industries Inc.

USA

375 International Park
Suite 300
Newnan, Georgia 30265
Phone: (404) 530-3804
Fax: (404) 530-3805
Email: info@anfieldind.com
Web: www.anfieldind.com

Canada

8831 Keele Street
Concord, Ontario
L4K 2N1
Phone: (905) 303-1369
Fax: (905) 303-7256
Email: sales@mpfiltricanada.com
Web: www.mpfiltricanada.com