

OIL TANK FIXING FLANGE

FTA - FTR



FT flanges make it possible to fix suction and return lines on the reservoir cover.
Fitting a flexible insert allows separation of pipes. Both rigid pipes and flexible hoses can be separated from the reservoir walls, absorbing vibration and reducing plant noise emissions.

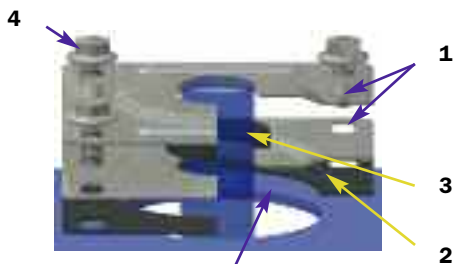
Temperature

- from -25 °C to +100 °C

Compatibility

- NBR seals and Cork Gasket, compatible with:
Mineral oils to ISO 2943 - aqueous emulsions
Synthetic fluids, glycol water.

FTA



Drill the panel:

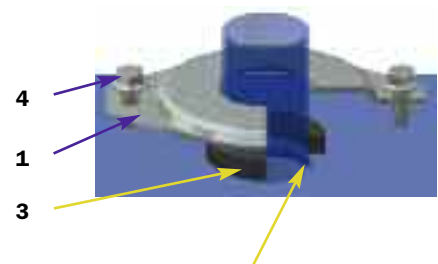
Ø 105 for types from 1215 ÷ 3842
Ø 145 for types from 4850 ÷ 8789

FTA - FTR (Materials)

- 1 - Flange: Galvanised Steel
- 2 - Flange seal: Inorganic fibre
- 3 - Tube seal: NBR
- 4 - Screw: Galvanised Steel

- 1 - Flexible element
- 2 - Seal

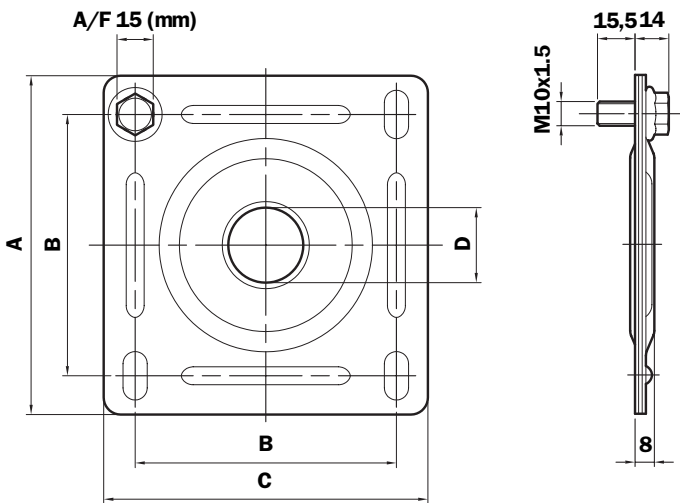
FTR



Drill the panel max 2 mm more than the pipe Ø

Dimensions

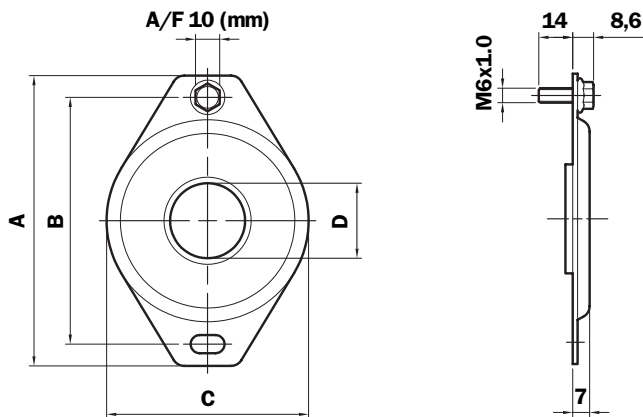
FTA



Type	A	B	C	Ø D	Weight (Kg)
FTA 1215	140	108	134	12÷15	0,590
FTA 1620	140	108	134	16÷20	0,570
FTA 2225	140	108	134	22÷25	0,550
FTA 2630	140	108	134	26÷30	0,530
FTA 3235	140	108	134	32÷35	0,500
FTA 3842	140	108	134	38÷42	0,520
FTA 4850	190	159	184	48÷50	0,920
FTA 6061	190	159	184	60÷61	0,900
FTA 7577	190	159	184	75÷77	0,860
FTA 8789	190	159	184	87÷89	0,830

N.B. Tightening torque MAX 20 Nm.

FTR



Type	A	B	C	Ø D	Weight (Kg)
FTR 0610	71	54	39,5	6÷10	0,045
FTR 1215	71	54	39,5	12÷15	0,043
FTR 1620	71	54	39,5	16÷20	0,040
FTR 2225	120	102	83,5	22÷25	0,100
FTR 2630	120	102	83,5	26÷30	0,103
FTR 3235	120	102	83,5	32÷35	0,098
FTR 3842	120	102	83,5	38÷42	0,095
FTR 4850	120	102	83,5	48÷50	0,090
FTR 6061	120	102	83,5	60÷61	0,085

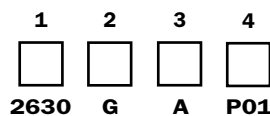
N.B. Tightening torque MAX 20 Nm.

Ordering information

Suction line flange

FTA

Example: FTA



1 - Size

Size	Ø Pipe Min - Max
1215	12 - 15
1620	16 - 20
2225	22 - 25
2630	26 - 30
3235	32 - 35
3842	38 - 42
4850	48 - 50
6061	60 - 61
7577	75 - 77
8789	87 - 89

2 - Flange seal

G Inorganic fibre

3 - Pipe seal

A NBR

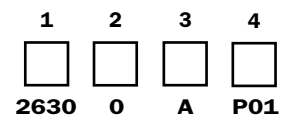
4 - Options

P01 MP Filtri standard

Return line flange

FTR

Example: FTA



1 - Size

Size	Ø Pipe Min - Max
0610	6 - 10
1215	12 - 15
1620	16 - 20
2225	22 - 25
2630	26 - 30
3235	32 - 35
3842	38 - 42
4850	48 - 50
6061	60 - 61

2 - Flange seal

0 Without

3 - Pipe seal

A NBR

4 - Options

P01 MP Filtri standard