



MA18 SERIES

Anfield valve model MA18 model is a 18 gpm (70 l/m) monoblock directional valve that is available from single spool through 6 spool configurations. They feature metered spools for smooth shifting and transition, built in adjustable relief valve, hardened steel spools and come standard with SAE 10 & SAE-12 work and inlet/outlet ports. The hand levers are field adjustable for either horizontal or vertical mounting. Field convertible to utilize the power beyond plug. Stock configurations with open center, blocked center for cylinder applications or Pressure blocked, A & B to Tank center position for motor applications.

Applications:

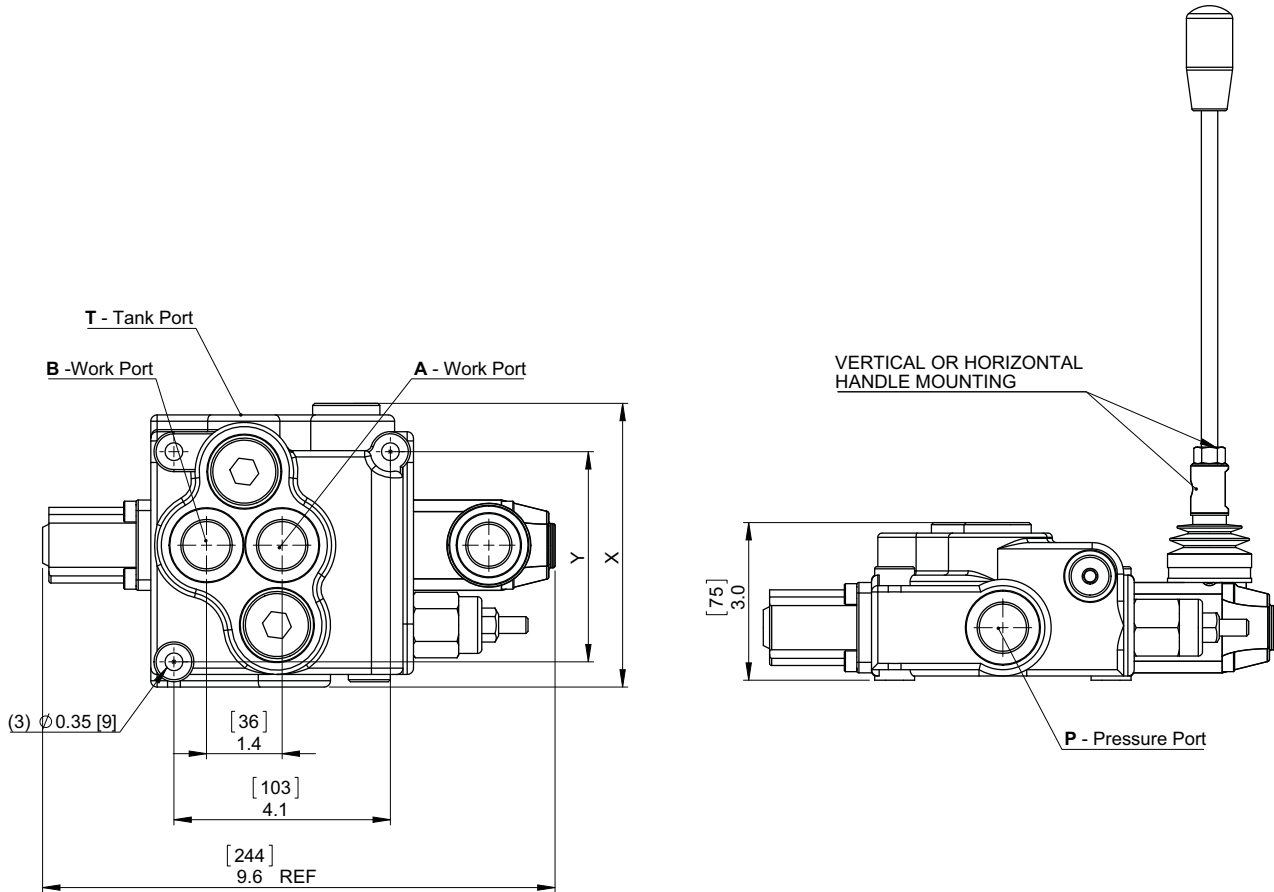
- Agricultural
- Construction
- Mining
- Material handling equipment
- Maintenance machinery



TECHNICAL DATA

| | | |
|---------------------------------|---------------------------------|-----------------------------|
| Nominal Flow Rate | 18 GPM | 70 L/min |
| Max Flow Rate | 21 GPM | 80 L/min |
| Sections Available | 1-6 | |
| Max. Operating Pressure | 4500 psi | 310 bar |
| Max Pressure for P port | 4500 psi | 310 bar |
| Max Pressure for A & B port | 4500 psi | 310 bar |
| Max Pressure for T port | 360 psi | 25 bar |
| Recommended Oil Viscosity Range | 0.02 to 0.12 in ² /s | 15 to 75 mm ² /s |
| Recommended Temperature Range | -40°F to 140°F | -40°C to 60°C |

MA18 - DIMENSIONS



STANDARD THREADS

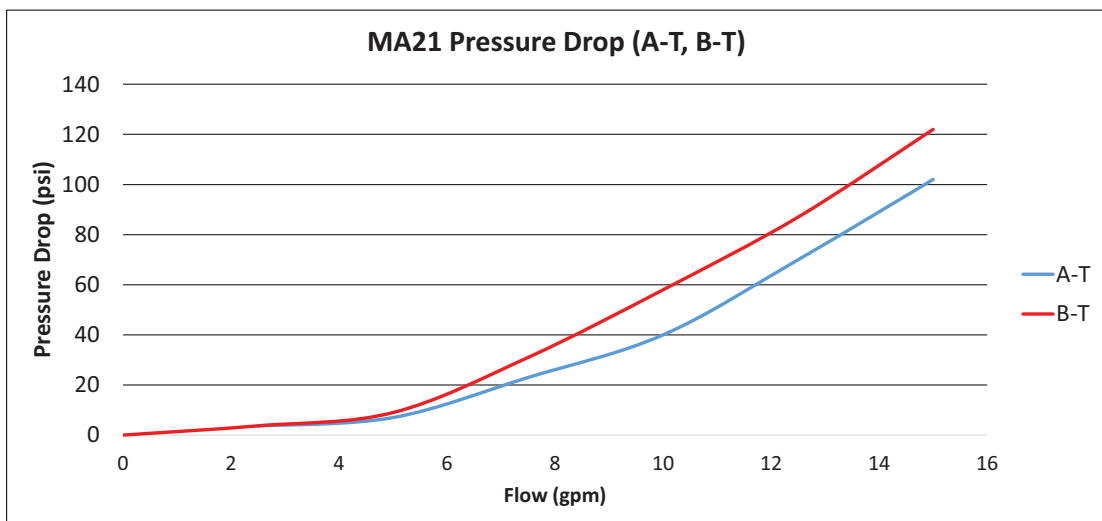
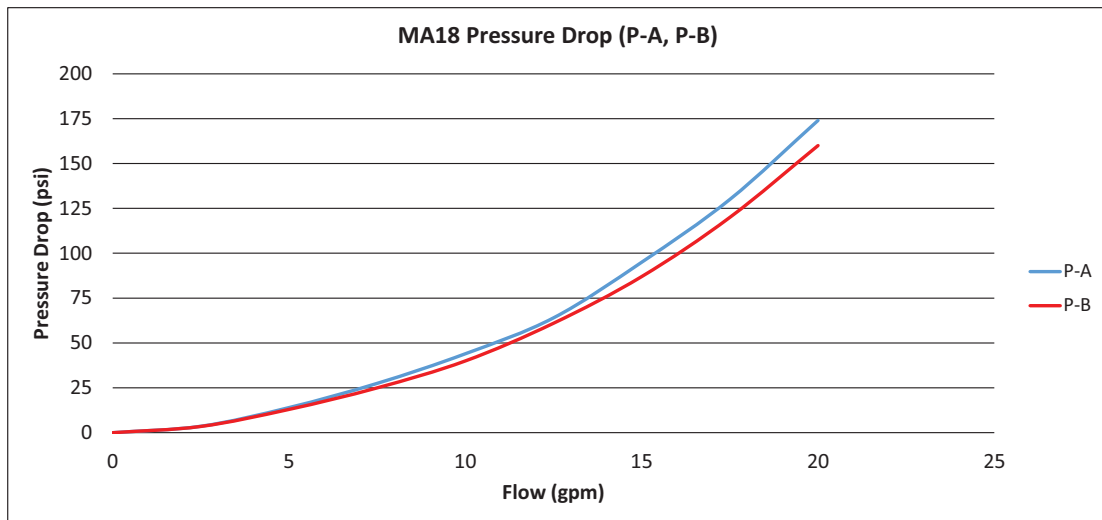
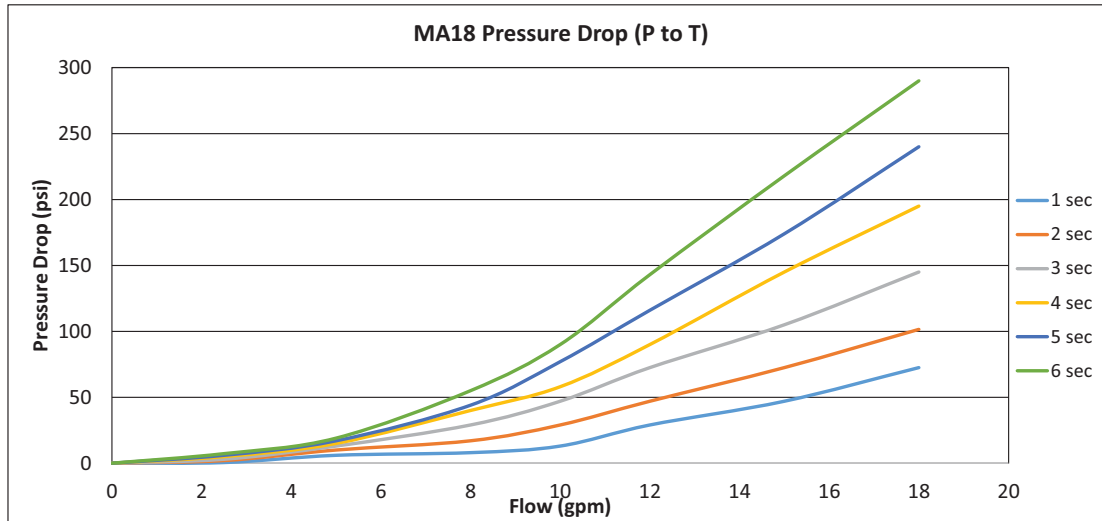
| Ports | Inlet P | A and B | Outlet T and C |
|-------|--------------------|-----------------|--------------------|
| | 1-1/16-12 (SAE 12) | 7/8-14 (SAE 10) | 1-1/16-12 (SAE 12) |

STANDARD DIMENSIONS

| Model | X | | Y | |
|----------------|------|-----|------|-----|
| | inch | mm | inch | mm |
| MA18 - 1 Spool | 5.3 | 135 | 3.9 | 100 |
| MA18 - 2 Spool | 7.1 | 180 | 5.7 | 145 |
| MA18 - 3 Spool | 8.9 | 225 | 7.5 | 190 |
| MA18 - 4 Spool | 10.6 | 270 | 9.3 | 235 |
| MA18 - 5 Spool | 12.4 | 315 | 11 | 280 |
| MA18 - 6 Spool | 14.2 | 360 | 12.8 | 325 |



MA18 - GENERAL SPECIFICATIONS





Ordering Code :

Example :

| | | | |
|------------------|--------------|--------------|----------|
| | First Spool | Second Spool | |
| MA18 - 2S - R2 - | D1 - 1 - L - | D2 - 1 - L - | 10S - M3 |

1. BODY KITS :

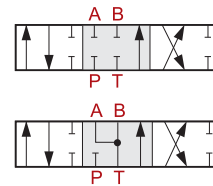
- | | |
|-----------------------|-----------------------|
| 1S - 1 Section | 4S - 4 Section |
| 2S - 2 Section | 5S - 5 Section |
| 3S - 3 Section | 6S - 6 Section |

2. INLET RELIEF:

- R2** - 40 Bar to 80 Bar (580 psi to 1160 psi), Standard Setting 80 Bar (1160 psi)
R3 - 63 Bar to 200 Bar (914 psi to 2900 psi), Standard Setting 120 Bar (1740 psi)
R4 - 160 Bar to 315 Bar (2320 psi to 4568 psi), Standard Setting 220 Bar (3190 psi)
SV Relief valve blanking plug

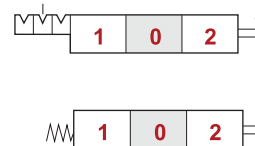
3. SPOOL TYPE:

- D1** - 4 Way 3 Position
A, B Closed in Neutral Position
- D2** - 4 Way 3 Position
A, B Open to Tank in neutral Position



4. B SIDE SPOOL POSITION

- 1** - 3 Position Detent
- S** - Spring Center to Neutral



5. A SIDE SPOOL POSITION

- L** - Lever Handle
- DP** - Dust Plate (No handle or handle box)

6. THREAD

- 10S** - A, B Ports- 7/8-14 (SAE 10)

7. OPTIONS

- M3** - No Power Beyond
- M8** - Power Beyond