

OPERATING & MAINTENANCE MANUAL



Long working life of the hydraulic components and correct use of the hydraulic systems can be assured only when maintenance is performed correctly and at regular intervals.

Filtration products will only be guaranteed if original MP Filtri replacements elements and spares are used.

In order to prevent the filter elements from collapsing due to excessive hydraulic pressure it is essential to use clogging & differential indicators that serve to inform the user of the need to change the cartridge.

Effective contamination control can be assured only by the correct use of clogging indicators.

INSTALLATION

- A:** Check that the pressure value of the selected filter is higher than the system's maximum operating pressure (the maximum pressure value is shown on the dataplate).
- B:** Check that the filter body contains the filter cartridge.
- C:** Check that the operating fluid is compatible with the material of the body, cartridge and seals.
- D:** Secure the filter using the relevant threaded holes, to rigid brackets.
Rigid installation makes it possible to unscrew the housing without introducing flexing of the hydraulic fittings, limiting any points of stress transfer.
- E:** Install the filter in an accessible position for correct and trouble-free maintenance and visibility.
- F:** Start the machine and check for absence of oil leak from the filter and relative fittings.
- G:** Repeat the visual inspection when the system arrives at the operating temperature of the oil.

MAINTENANCE

- A:** All maintenance operations must be performed only by suitably trained personnel.
- B:** The hydraulic system must be depressurised before performing maintenance operations (except for duplex filter).
- C:** Maintenance must be carried out using suitable tools and containers to collect the fluid contained in the filter body.
Spent fluids must be disposed of in compliance with statutory legislation.
- D:** Do not use naked flames during maintenance operations.
- E:** Use the utmost caution in relation to the temperature of the fluid. High temperature can lead to residual pressure with resulting undesirable movements of mechanical parts.

CHANGING THE FILTER ELEMENT

- A:** The data on which the filter elements are changed must be entered in the machine datasheet.
- B:** Spare parts installed must be in compliance with the specifications given in the machine operating and maintenance manual.
- C:** Filter bodies and tools must be thoroughly cleaned prior to each maintenance operation.
- D:** After having opened the filter to change the filter element, check the condition of the seals and renew them if necessary.
Clean thoroughly before reassembling.

CHANGING THE FILTER ELEMENT FILTERS MPS - MST

1
Depressurise the system and clean the filter.

2
Unscrew the filter element (Fig. 1).

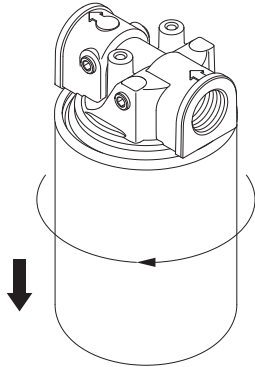


Fig. 1

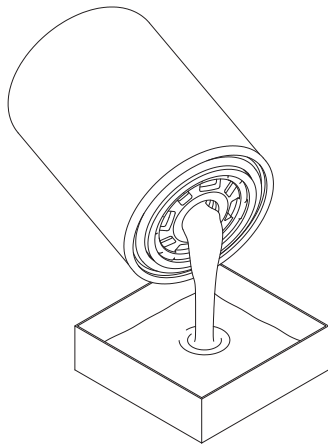


Fig. 2

!!! WARNING !!!

3
Collect the spent oil and cartridge in a suitable container and dispose of them in compliance with statutory legislation (Fig. 2).

4
Lubricate the filter element seal with the operating fluid (Fig. 3).

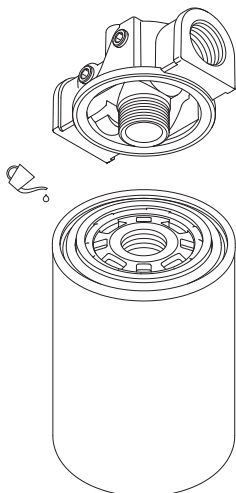


Fig. 3

5
Screw the cover into the head when the seal comes in contact with the head, rotate half a turn (Fig. 4).

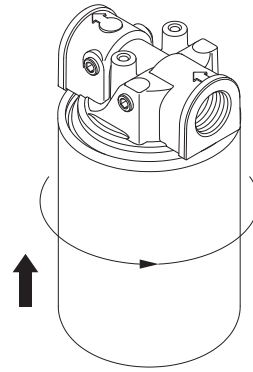


Fig. 4

6
Start the machine and check for the absence of leaks.
Repeat the check when the machine has reached its operating temperature.

CHANGING THE FILTER ELEMENT FILTERS MPS 200

1
Depressurise the system and clean the filter.

2
Unscrew first the bottom filter element (Fig. 5).

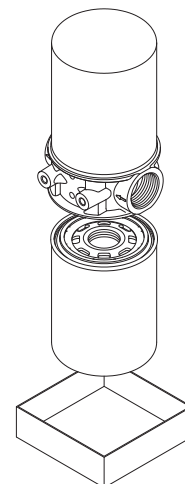
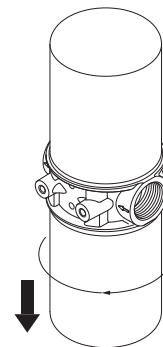


Fig. 5