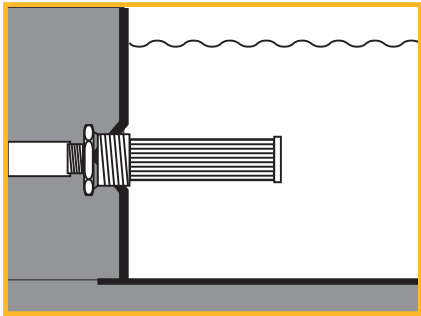


# Tank Mounted Strainers - TMS Series

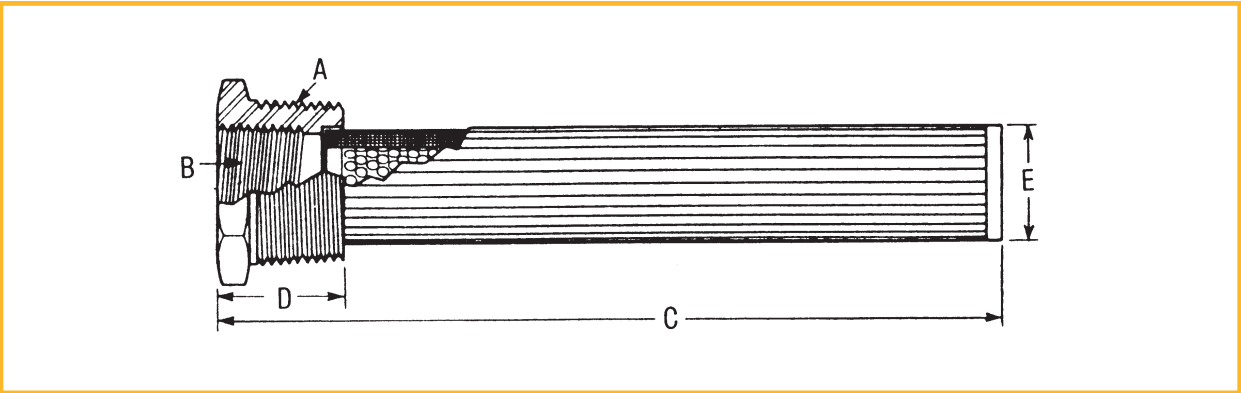


## Specifications

- ◆ No by-pass
- ◆ Perforated steel support tubes
- ◆ Temperatures to +250°F (+120°C)
- ◆ 100 Mesh stainless steel plated elements
- ◆ 5 PSI by-pass special order.
- ◆ Designed for ease of servicing. Access to tank interior is not necessary.
- ◆ Mount through sidewall or through tank top and into a standpipe



## Ordering Information



Part #	GPM Rating	A	B	C	D	E	Screen Area (in <sup>2</sup> )
TMS-3	3	3/4" NPT	3/8" NPT	4.00	0.97	0.87	28.70
TMS-5	5	1" NPT	1/2" NPT	5.34	1.06	1.03	35.00
TMS-10	10	1 1/4" NPT	3/4" NPT	8.17	1.10	1.36	64.00
TMS-15	15	1 1/2" NPT	1" NPT	8.20	1.30	1.62	86.00
TMS-25	25	2" NPT	1 1/4" NPT	9.04	1.30	2.12	125.00
TMS-50	50	3" NPT	2" NPT	9.70	1.70	3.00	260.00
TMS-100	100	4" NPT	3" NPT	11.30	1.80	4.00	315.00