

### DESCRIPTION

The TT is a robust temperature transmitter designed for measuring temperature in hydraulic applications. Anfield's unique design enables for ideal performance at a competitive cost. The sensor provides an analog 4 to 20 mA output. The TT series is ideal for harsh environmental conditions.

### FEATURES

- Robust design
- IP 65 rated
- Solid state sensing

### APPLICATIONS

- Industrial applications
- Hydraulic Power units
- Gear Box
- Lubrication systems

### Specifications

Measuring Principle	Solid State
Accuracy (Full Range)	+/- 2% FS
Accuracy (Room Temperature)	≤ 0.5% FS
Supply Voltage	8 to 30 VDC
Measurement Unit	°F, °C
Ambient Temperature Range	-40°F to 257°F (-40°C to 125°C)
Max Pressure	1800 psi (124 BAR)
Output Signal	4 - 20mA
Power On Time	< 1 sec
Temperature Drift	0.001% FS/°C / 1000 hrs
Protection	DIN 43650A : IP65
Protection	Overvoltage, Short Circuit, Reverse Polarity
Housing Material	Nickel plated brass
Weight	0.37 lbs (0.17 kg)

### Wiring Code

	4 - 20 mA	
	Supply +	Supply -
HC - DIN 43650A	Pin 1	Pin 2

### Ordering Information

#### Example

TT - <sup>1</sup>S - <sup>2</sup>N25/100C - <sup>3</sup>2 - <sup>4</sup>8M32 - <sup>5</sup>HC

#### 1 - Sensing Element:

S - Solid State

#### 2 - Temperature Range:

**N25/100C** - -25°C to 100°C (-13°F to 212°F)

**0/100C** - 0°C to 100°C (32°F to 212°F)

**0/300F** - 0°F to 300°F (-17°C to 149°C)

#### 3 - Output:

2 - 4 - 20mA

#### 4 - Threads:

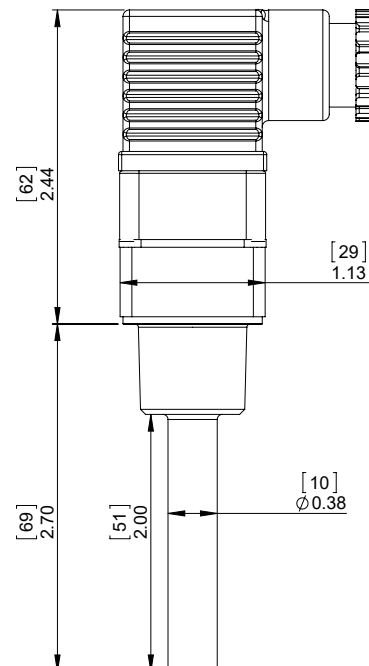
**8M32** - 1/2 NPT thread

**8G32** - 1/2 BSPP thread with viton seal

#### 5 - Electrical Connector

HC - DIN 43650A

### Dimensions



# TEMPERATURE SWITCH GUIDE



	Models					
	S2TAF	S3TAF	S5TAF	S6TAF	S7TAF	S8TAF
<b>Temperature Range</b>	77°F - 293°F (25° - 145°C)	77°F - 293°F (25° - 145°C)	130°F / 54°C 140°F / 60°C 150°F / 65°C 160°F / 71°C 170°F / 76°C 180°F / 82°C 190°F / 87°C 200°F / 93°C 220°F / 104°C	130°F / 54°C 140°F / 60°C 150°F / 65°C 160°F / 71°C 170°F / 76°C 180°F / 82°C 190°F / 87°C 200°F / 93°C 220°F / 104°C	120°F / 49°C 140°F / 60°C 160°F / 71°C 170°F / 76°C 180°F / 82°C	120°F / 49°C 140°F / 60°C 160°F / 71°C 170°F / 76°C 180°F / 82°C
<b>Electrical Rating</b>	15 amp Silver / Gold	15 amp Silver	3 amp Silver	3 amp Silver	3 amp Gold	3 amp Gold
<b>Electrical Connection</b>	DIN 43650A	Spade Flying Leads Deutsch Metripack Weatherpack	Flying Leads Weather Pack Deutsch	Spade Deustch DT04-2P Flying Lead Packard Metripack	Flying Leads Weather Pack Deutsch	Spade Deustch DT04-2P Flying Lead Packard Metripack
<b>Differential</b>	25°F	25°F	30% of Setpoint	30% of Setpoint	<4% of Setpoint	<4% of Setpoint
<b>Probe</b>	Not Available	Yes	Yes	Yes	Yes	Yes
<b>IP Rating</b>	IP65, IP67	IP65, IP67	IP65	IP65, IP67	IP65	IP65, IP67
<b>Response Time</b>						

## Legend:

Slowest Response =

Fastest Response =

