

Hydraulic Gear Pump AP-1



DESCRIPTION

- AP-1 is an all aluminum construction, high pressure Hydraulic Gear Pump. The standard mounting flange is as detailed on the installation drawing and porting is any combination of rear, front or side as defined in the ordering example. The drive shaft options include flat tang or tapered keyed.



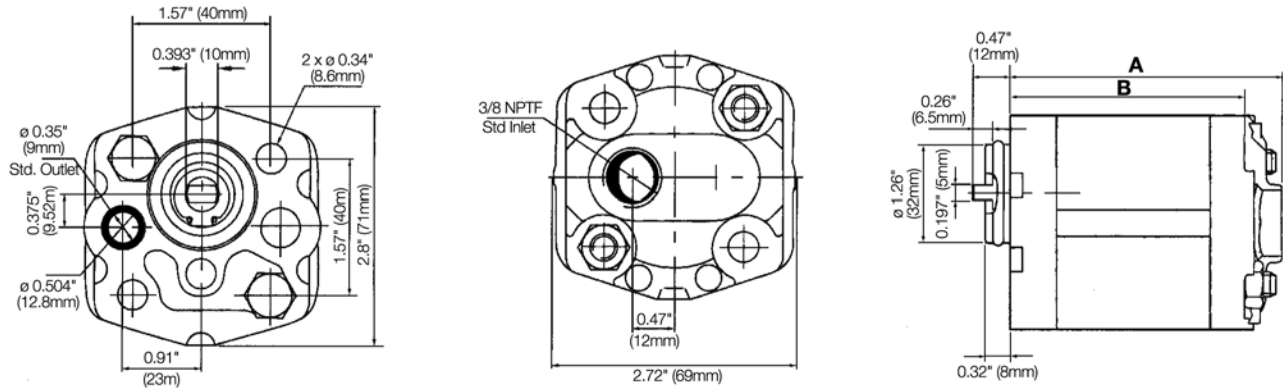
TECHNICAL DATA

- Filtration: 25 micron or better
- Oil Viscosity: 20 mm²/s - 100mm²/s
- Inlet Pressure: 12 to 32 psi absolute
- Temperature: Oil: -25°C to 80°C / -12°F to 175°F
Ambient: -22°C to 55°C / -8°F to 130°F

Model	Displacement		Rated Pressure		Speed RPM		Weight	
	cm ³ /rev	cu.in/rev	PSI	BAR	Min.	Max.	Lbs.	Kg
AP-1-1.1	1.1	0.06	2900	200	600	6000	1.69	0.77
AP-1-1.3	1.3	0.07	2900	200	600	6000	1.73	0.79
AP-1-1.6	1.6	0.09	2900	200	600	6000	1.76	0.80
AP-1-1.8	1.8	0.10	2900	200	600	6000	1.78	0.81
AP-1-2.1	2.1	0.12	2900	200	600	6000	1.80	0.82
AP-1-2.7	2.7	0.16	2900	200	600	6000	1.87	0.85
AP-1-3.2	3.2	0.19	2900	200	600	5000	1.91	0.87
AP-1-3.7	3.7	0.22	2900	200	600	4500	1.98	0.90
AP-1-4.2	4.2	0.25	2900	200	600	4000	2.02	0.92
AP-1-4.8	4.8	0.29	2320	160	600	3500	2.09	0.95
AP-1-5.8	5.8	0.35	2320	160	600	2900	2.20	1.00
AP-1-8.0	8.0	0.48	2320	160	600	2100	2.42	1.10

- Flow rate in gpm - Displacement (cu.in/rev) X speed (rpm)/231
- Volumetric efficiency % >93

INSTALLATION DATA



Model	A		B		Model	A		B	
	mm	inch	mm	inch		mm	inch	mm	inch
AP-1-1.1	74	2.91	62	2.44	AP-1-3.2	82	3.23	70	2.76
AP-1-1.3	75	2.95	63	2.48	AP-1-3.7	84	3.31	72	2.83
AP-1-1.6	76	2.99	64	2.52	AP-1-4.2	86	3.39	74	2.91
AP-1-1.8	77	3.03	65	2.56	AP-1-4.8	88	3.46	76	2.99
AP-1-2.1	78	3.07	66	2.60	AP-1-5.8	92	3.62	80	3.15
AP-1-2.7	80	3.15	68	2.68	AP-1-8.0	100	3.94	88	3.46

ORDERING INFORMATION

