

# AP-PTO Gear Pump



## DESCRIPTION

- AP-PTO is a PTO-driven gear pump constructed with cast iron and plates and is available with aluminum or cast iron gear section.
- Standard ports are SAE-16 (1 5/16-12) inlet and SAE-12 (1 1/16-12) outlet.

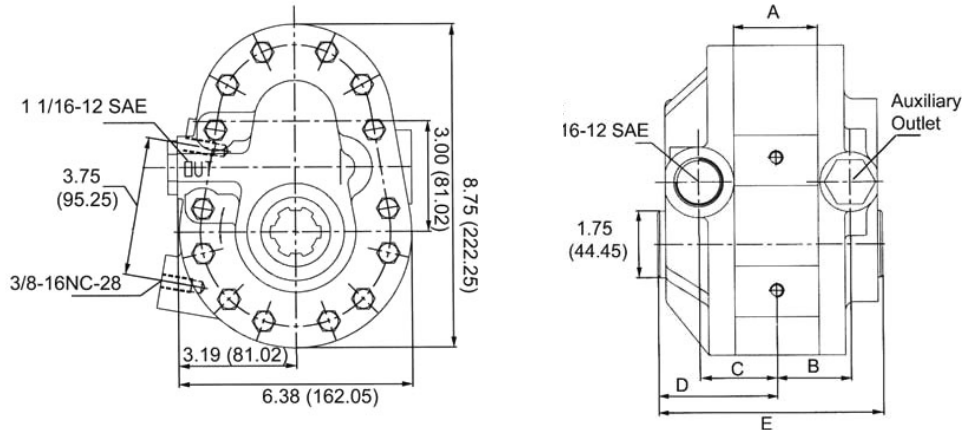


## TECHNICAL DATA

- Displacement Size: 4 sizes from 3.41 to 9.76 cu. in/rev (56 to 160 ml/rev)
- Standard Drive: 1 3/8 diameter 6 tooth female spline
- Filtration: 10 micron or better
- Oil Viscosity: 20 mm<sup>2</sup>/s - 100mm<sup>2</sup>/s
- Inlet Pressure: 12 to 32 psi absolute
- Temperature: Oil: -25°C to 80°C / -12°F to 175°F  
Ambient: -22°C to 55°C / -8°F to 130°F

Model	Displacement		Pressure		Speed RPM	Weight	
	cm <sup>3</sup> /rev	cu <sup>3</sup> /rev	PSI	Bar	Rated	Lbs.	Kg
AP-PTO-9	160	9.76	2500	172.5	540	40	18
AP-PTO-7	125	7.62	2500	172.5	540	38	17
AP-PTO-5	90	5.50	2500	172.5	540	36	16
AP-PTO-5-21	90	5.50	2500	172.5	1000	36	16
AP-PTO-3	56	3.41	2500	172.5	540	33	15
AP-PTO-3-21	56	3.41	2500	172.5	1000	33	15

## INSTALLATION DATA



Model	A		B		C		D		E	
	mm	in.	mm	in.	mm	in.	mm	in.	mm	in.
<b>AP-PTO-9</b>	60.3	2.37	53.1	2.09	55.6	2.19	85.1	3.35	161.3	6.35
<b>AP-PTO-7</b>	50.9	2.00	48.5	1.91	50.8	2.00	80.3	3.16	151.6	5.97
<b>AP-PTO-5</b>	41.25	1.62	43.7	1.72	46.0	1.81	75.4	2.97	142.2	5.60
<b>AP-PTO-3</b>	32.1	1.26	39.1	1.54	41.4	1.63	70.6	2.78	132.8	5.23

## PERFORMANCE DATA

Model	RPM	500 PSI		1000 PSI		1500 PSI		2000 PSI	
		Input HP	GPM Output	Input HP	GPM Output	Input HP	GPM Output	Input HP	GPM Output
<b>AP-PTO-9</b>	540	8.40	21.10	16.10	20.70	23.80	20.70	32.10	20.70
<b>AP-PTO-7</b>	540	7.10	16.80	13.60	16.61	20.40	16.50	27.40	16.61
<b>AP-PTO-5</b>	540	4.90	11.77	9.30	11.50	13.80	11.19	18.10	11.00
<b>AP-PTO-5-21</b>	1000	9.30	22.58	17.40	22.20	25.90	21.81	34.30	21.62
<b>AP-PTO-3</b>	540	2.90	7.18	5.90	6.80	8.80	6.80	11.90	6.80
<b>AP-PTO-3-21</b>	1000	5.50	13.61	11.00	13.04	16.50	13.22	22.60	13.22

## ORDERING INFORMATION

AP-PTO		A		9		6		S	
Series		Center Section		Displacement		Drive Required		Port Location	
<b>PTO</b>	<b>PTO Driven</b>	<b>A</b>	<b>Aluminum</b>	<b>9</b>	<b>9.76 cu.in/rev</b>	<b>6</b>	<b>6 tooth spline</b>	<b>S</b>	<b>Side Port</b>
		<b>B</b>	<b>Cast Iron*</b>	<b>7</b>	<b>7.72 cu.in/rev</b>	<b>21</b>	<b>21 tooth spline*</b>		
				<b>5</b>	<b>5.50 cu.in/rev</b>				
				<b>3</b>	<b>3.41 cu.in/rev</b>				

\* Special order