



MA12 - GENERAL SPECIFICATIONS

MA12 SERIES



Anfield valve model MA12 model is a 12 gpm (45 l/m) monoblock directional valve that is available from single spool through 6 spool configurations. They feature metered spools for smooth shifting and transition, built in adjustable relief valve, hardened steel spools and come standard with SAE 8 work and inlet/outlet ports. The hand levers are field adjustable for either horizontal or vertical mounting. Field convertible to utilize the power beyond plug. Stock configurations with open center, blocked center for cylinder applications or Pressure blocked, A & B to Tank center position for motor applications.

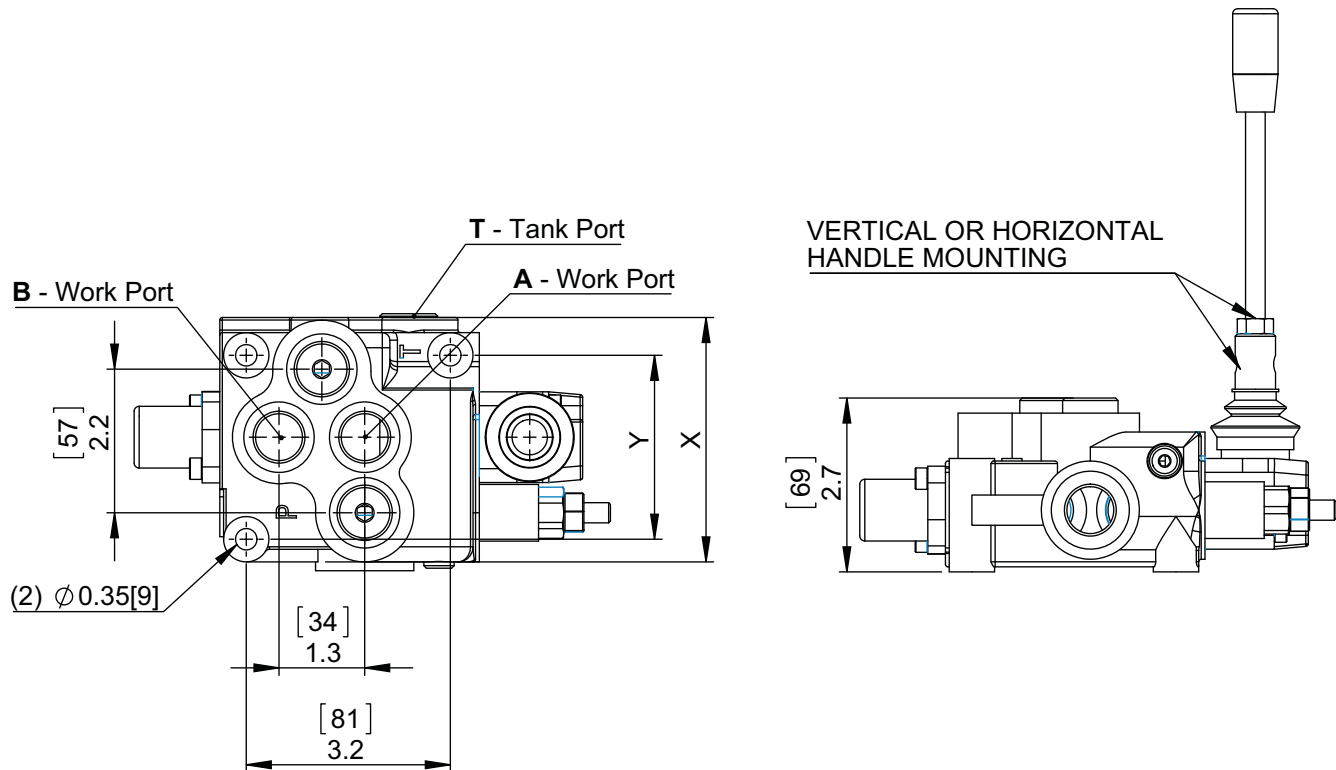
Applications:

- Agricultural
- Construction
- Mining
- Material handling equipment
- Maintenance machinery

TECHNICAL DATA

Nominal Flow Rate	12 GPM	45 L/min
Max Flow Rate	14 GPM	55 L/min
Sections Available	1-6	
Max. Operating Pressure	4500 psi	310 bar
Max Pressure for P port	4500 psi	310 bar
Max Pressure for A & B port	4500 psi	310 bar
Max Pressure for T port	360 psi	25 bar
Recommended Oil Viscosity Range	0.02 to 0.12 in ² /s	15 to 75 mm ² /s
Recommended Temperature Range	-40°F to 140°F	-40°C to 60°C

MA12 - DIMENSIONS



STANDARD THREADS

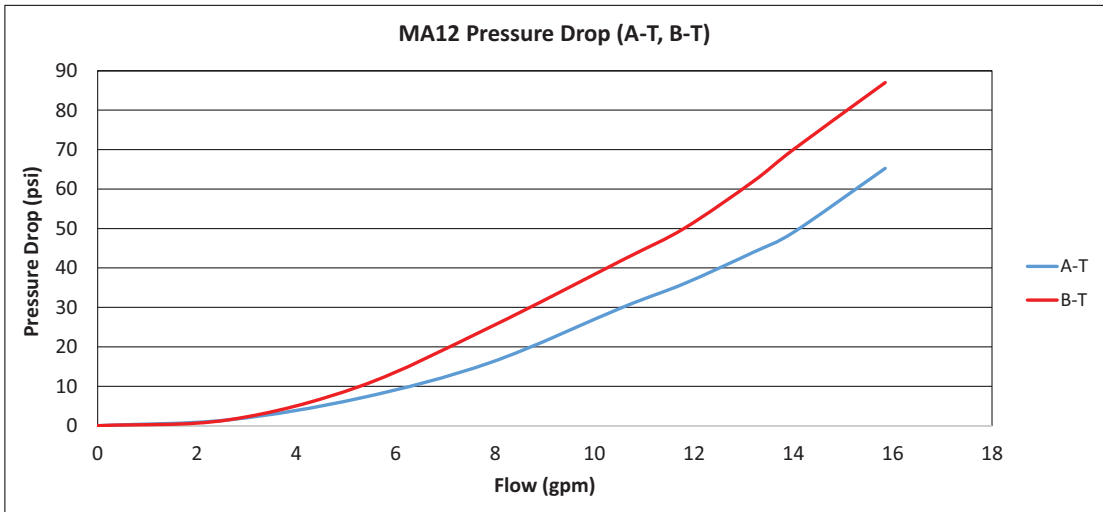
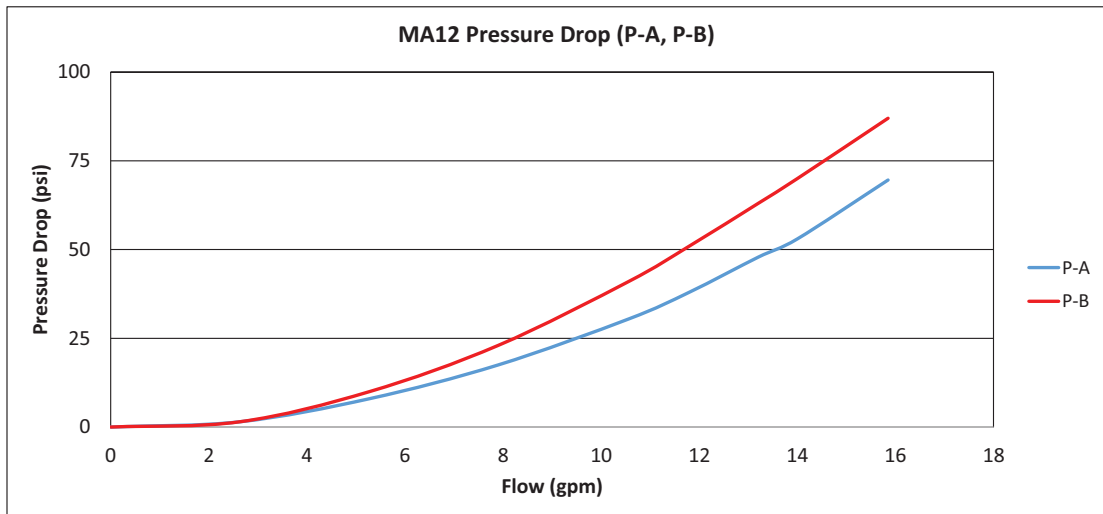
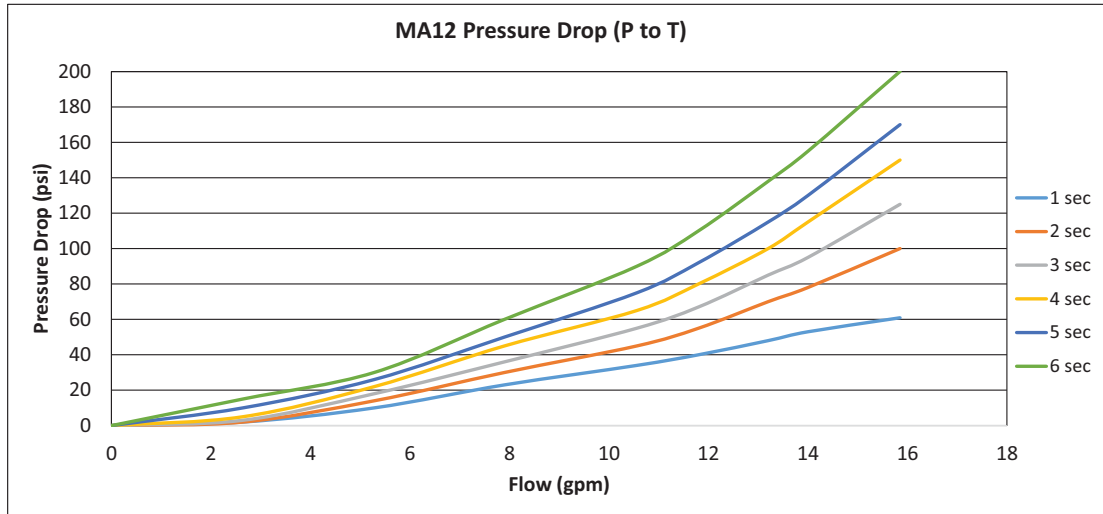
Ports	Inlet P	A and B	Outlet T and C
	3/4-16 (SAE 8)	3/4-16 (SAE 8)	3/4-16 (SAE 8)

STANDARD DIMENSIONS

Model	X		Y		Z	
	inch	mm	inch	mm	inch	mm
MA12 - 1 Spool	3.9	100.5	2.8	73	2.8	70
MA12 - 2 Spool	5.4	137.5	4.3	110	3.2	81
MA12 - 3 Spool	6.9	174.5	5.7	147	3.2	81
MA12 - 4 Spool	8.3	211.5	6.3	160	3.2	81
MA12 - 5 Spool	9.7	248.5	8.6	220	3.2	81
MA12 - 6 Spool	11.2	285.5	10.2	260	3.2	81



MA12 - GENERAL SPECIFICATIONS





Ordering Code :

Example : First Spool Second Spool
 MA12 - 2S - R2 - D1 - 1 - L - D2 - 1 - L - 8S - M3

1. BODY KITS :

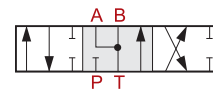
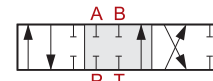
- | | |
|-----------------------|-----------------------|
| 1S - 1 Section | 4S - 4 Section |
| 2S - 2 Section | 5S - 5 Section |
| 3S - 3 Section | 6S - 6 Section |

2. INLET RELIEF:

- R2** - 40 Bar to 80 Bar (580 psi to 1160 psi), Standard Setting 80 Bar (1160 psi)
R3 - 63 Bar to 200 Bar (914 psi to 2900 psi), Standard Setting 120 Bar (1740 psi)
R4 - 160 Bar to 315 Bar (2320 psi to 4568 psi), Standard Setting 220 Bar (3190 psi)
SV Relief valve blanking plug

3. SPOOL TYPE:

- D1** - 4 Way 3 Position
 A, B Closed in Neutral Position
- D2** - 4 Way 3 Position
 A, B Open to Tank in neutral Position



4. B SIDE SPOOL POSITION

- 1** - 3 Position Detent
- S** - Spring Center to Neutral
- DS3** - Detent in position 1 with spring centered



5. A SIDE SPOOL POSITION

- L** - Lever Handle
- DP** - Dust Plate (No handle and handle box)
- J** - Joystick lever for 2 section operation

6. THREAD

- 8S** - A, B - 3/4-16 (SAE8)

7. OPTIONS

- M3** - No Power Beyond
- M8** - Power Beyond