

MPH

Maximum pressure 10 bar
Flow rates to 3000 l/min



Technical data

Filter housing (Materials)

- Head: Aluminium: MPH 104-110-114-120-250
 Anodised Aluminium: MPH 630-850
 Painted Aluminium: MPH 660
- Cover: Nylon: MPH 104-110-114-120
 Aluminium: MPH 250
 Anodised Aluminium: MPH 630
 Painted Aluminium: MPH 660
 Steel: MPH 850
- Insert assembly: Nylon (only for: MPH 104-110-114-120)
 Aluminium (all the other)
- Diffuser: Zinc Plated Steel (excluded MPH 850)
 Tinned Steel: MPH 850
- Valve: Phosphated Steel

Pressure

- Working pressure: 10 bar (1 MPa)

Temperature

- From -25 °C to +110 °C

Bypass valve

- Opening pressure 1,75 bar $\pm 10\%$
- Opening pressure 2,5 bar $\pm 10\%$ (excluded for MPH 850)

Δp Elements type

- Microfibre filter elements series MR: 10 bar
- Fluid flow through the filter element from IN to OUT.

Seals

- Standard NBR series A
- Optional FPM series V

MPH FILTERS ARE PROVIDED FOR VERTICAL MOUNTING

Weights (kg)

Length	1	2	3	4	5
• MPH 104-110	1,60	1,70	1,80	2,20	2,60
• MPH 114-120	1,60	1,70	1,80	2,20	2,60
• MPH 250	3,60	3,90	4,20	5,60	-
• MPH 630	6,50	7,00	7,40	8,50	10,50
• MPH 660	-	-	-	11,5	14
• MPH 850	32	35	38	42	-

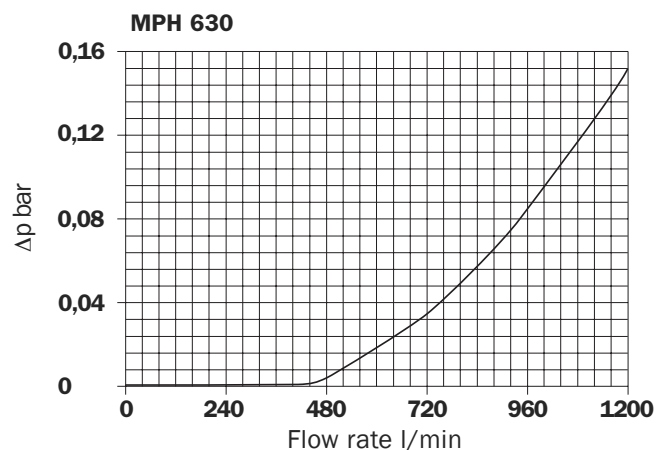
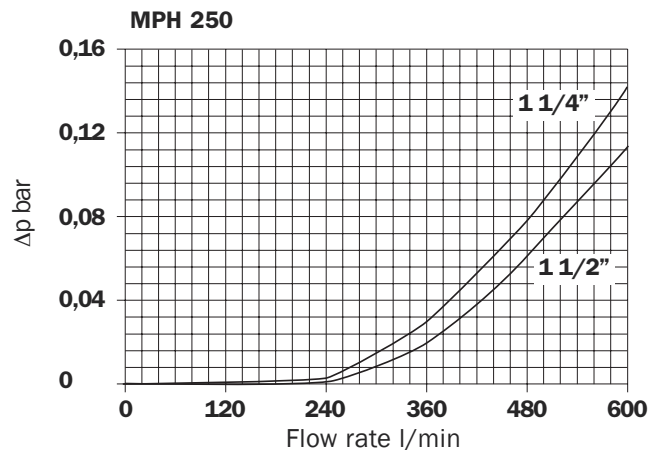
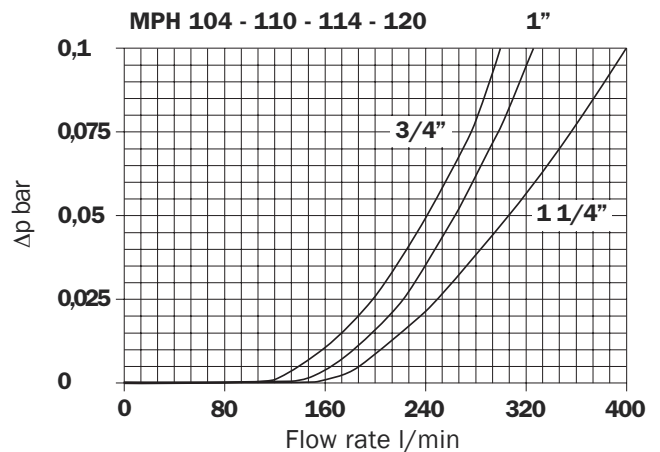
Volumes (dm³)

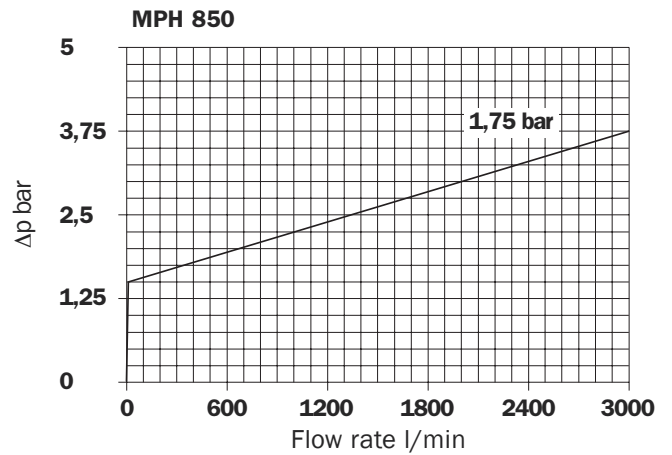
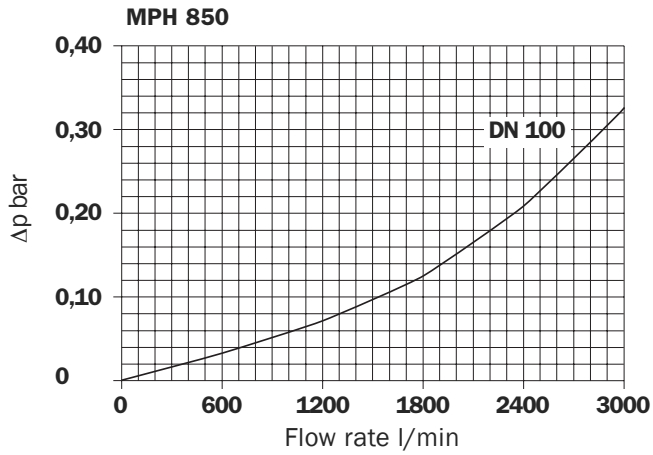
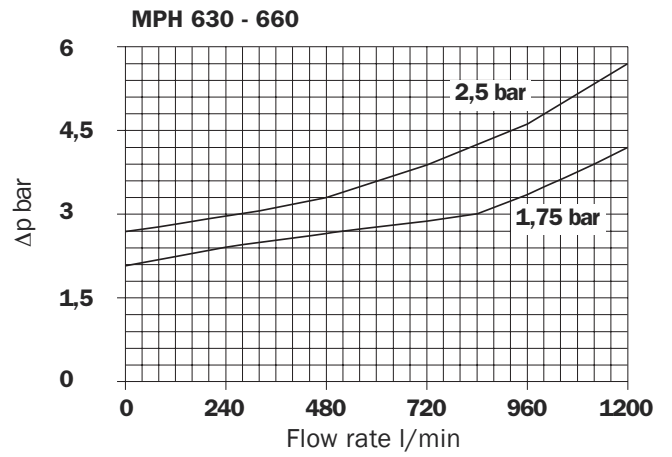
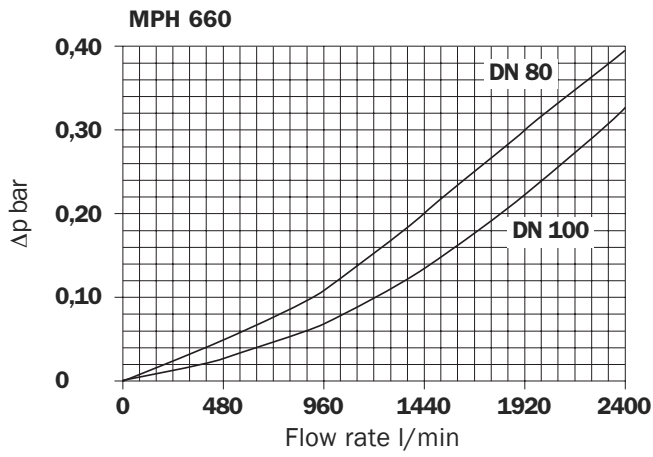
Length	1	2	3	4	5
• MPH 104-110	1,60	1,70	1,80	2,20	2,60
• MPH 114-120	1,60	1,70	1,80	2,20	2,60
• MPH 250	4,40	4,40	5,40	8,00	-
• MPH 630	7,30	9,00	11,0	13	19,2
• MPH 660	-	-	-	14,6	21
• MPH 850	13	16,5	21	25	-

Filter housings Δp pressure drop

The curves are plotted utilising mineral oil with density of 0,86 kg/dm³ to ISO 3968.

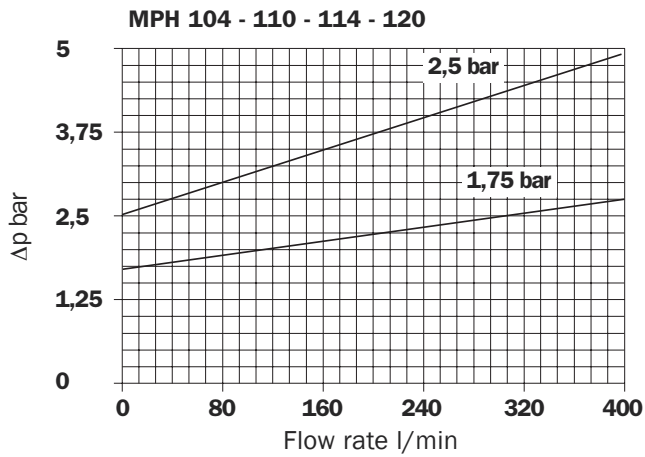
Δp varies proportionally with density.





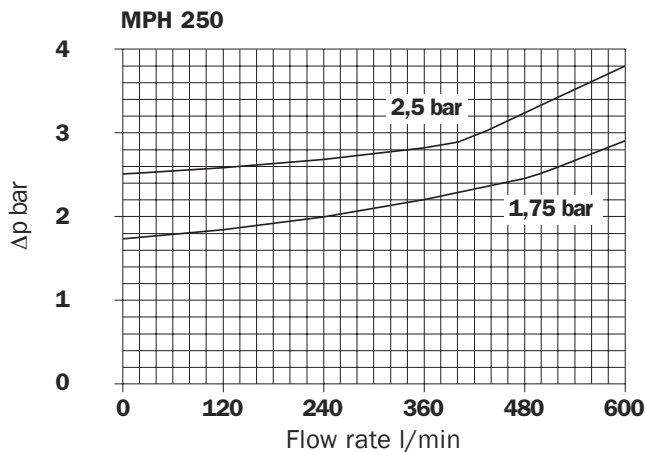
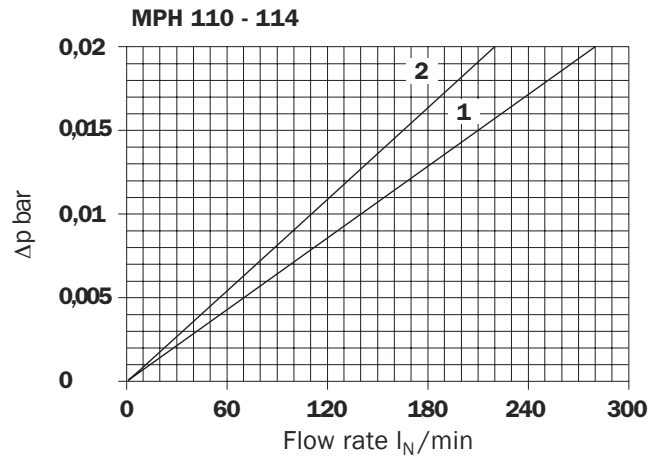
Valves

Bypass valve pressure drop



Air breather

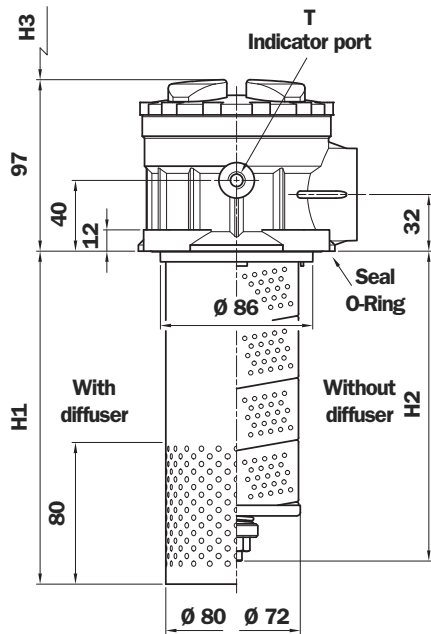
Pressure drop



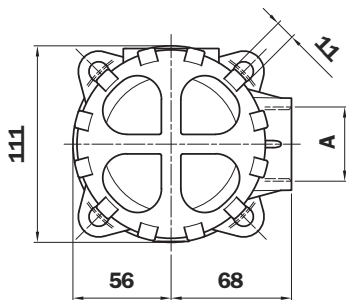
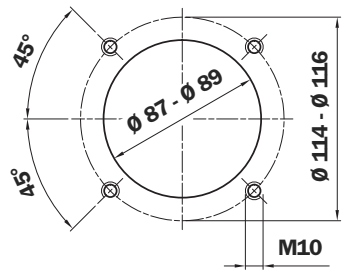
- 1: C With air breather 10 μ m
- 2: D With anti-splash and SAP50 10 μ m

MPH 104

Without air breather



Holes on the tank

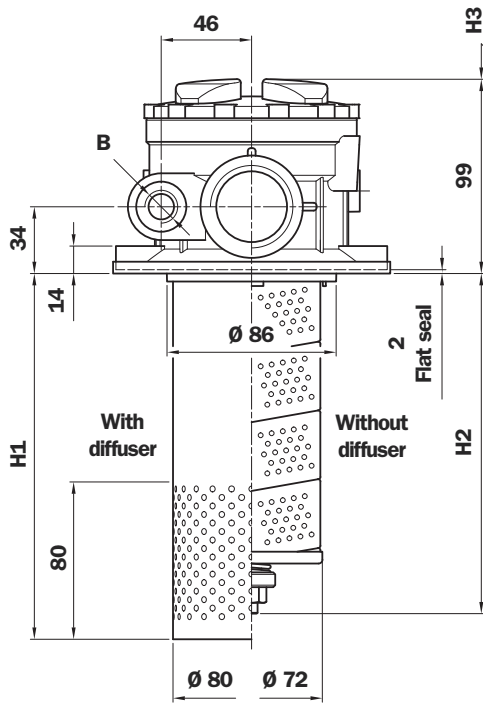


Filter Length	H1 mm	H2 mm	H3 mm
1	190	131	255
2	190	175	255
3	240	225	305
4	340	325	405
5	440	425	505

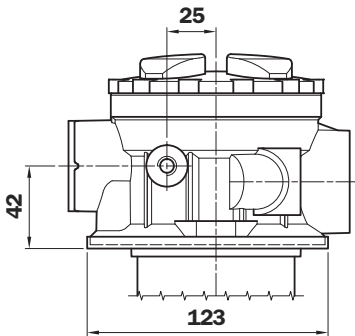
Thread connections

Type	A	T
G1	G 3/4"	G 1/8"
G2	G 1"	G 1/8"
G3	G 1 1/4"	G 1/8"
G4	3/4" NPT	1/8" NPT
G5	1" NPT	1/8" NPT
G6	1 1/4" NPT	1/8" NPT
G7	SAE 12 - 1 1/6" - 12 UN	1/8" NPT
G8	SAE 16 - 1 5/16" - 12 UN	1/8" NPT
G9	SAE 20 - 1 5/8" - 12 UN	1/8" NPT

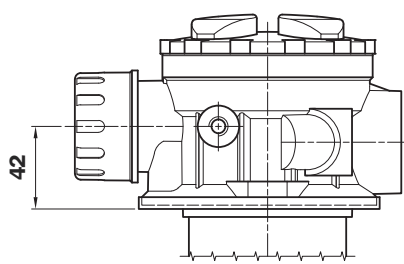
MPH 110



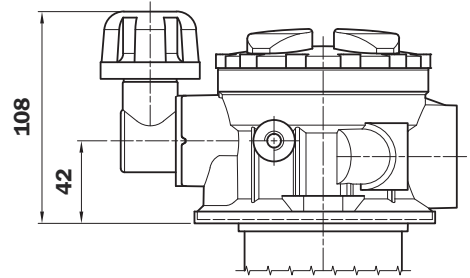
Version "S"
Without air breather



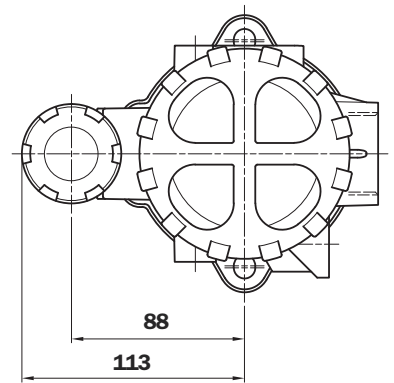
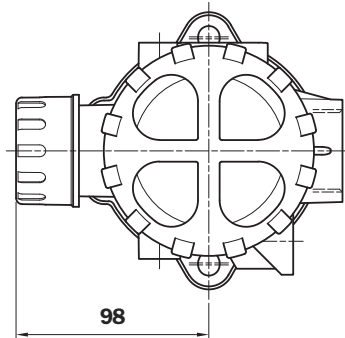
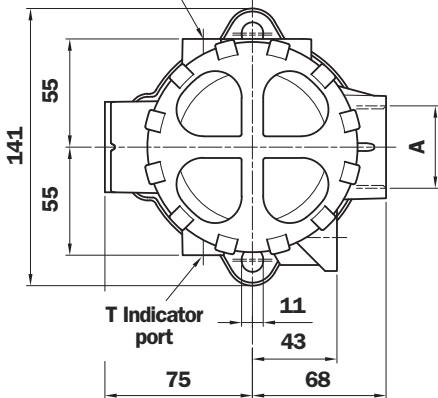
Version "C"
With air breather



Version "D" and "P"
Anti-splash and SAP50

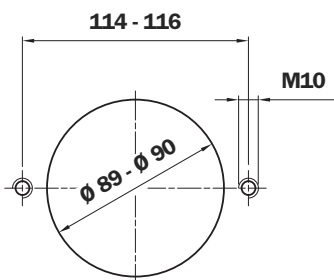


T Indicator port



T indicator port
G 1/4" - 1/4" NPT
ON REQUEST

Holes on the tank



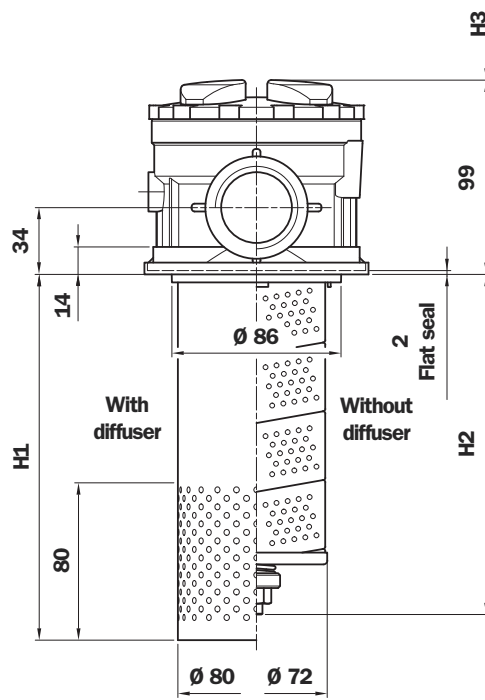
Thread connections A

Type	A	T
G1	G 3/4"	G 1/8"
G2	G 1"	G 1/8"
G3	G 1 1/4"	G 1/8"
G4	3/4" NPT	1/8" NPT
G5	1" NPT	1/8" NPT
G6	1 1/4" NPT	1/8" NPT
G7	SAE 12 - 1 1/16" - 12 UN	1/8" NPT
G8	SAE 16 - 1 5/16" - 12 UN	1/8" NPT
G9	SAE 20 - 1 5/8" - 12 UN	1/8" NPT

Filter Length	H1 mm	H2 mm	H3 mm
1	188	129	255
2	188	173	255
3	238	223	305
4	338	323	405
5	438	423	505

Thread connections A	Thread connections B		
	0	1	2
G1 - G2 - G3	not machined	G 3/8"	G 1/2"
G4 - G5 - G6	not machined	3/8" NPT	1/2" NPT
G7 - G8 - G9	not machined	SAE 6 - 9/16" - 18 UNF	SAE 8 - 3/4" - 16 UNF

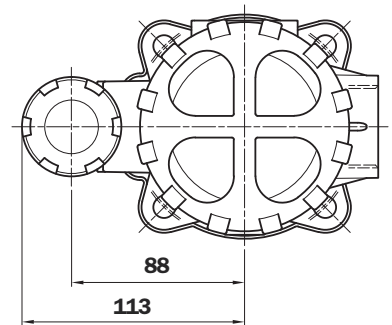
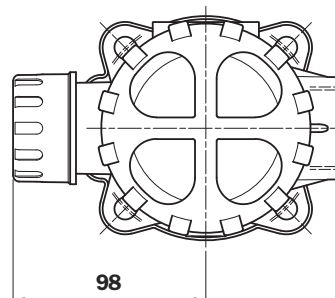
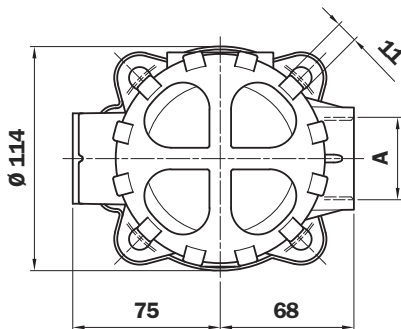
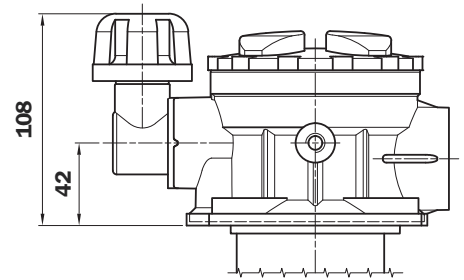
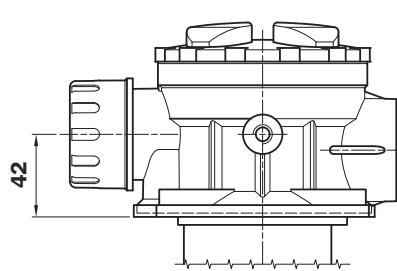
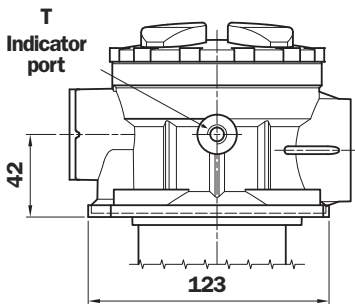
MPH 114



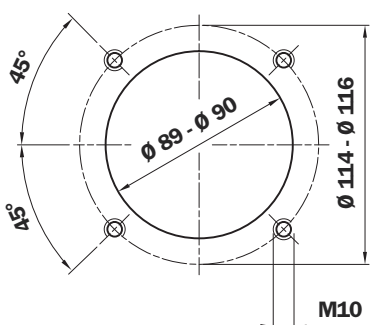
Version "S"
Without air breather

Version "C"
With air breather

Version "D" and "P"
Anti-splash and SAP50



Holes on the tank



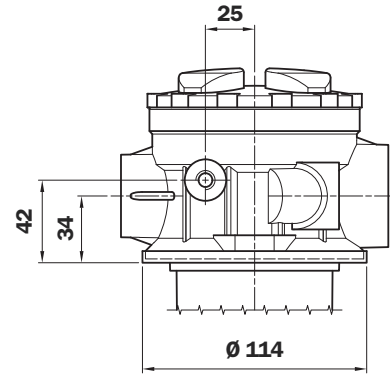
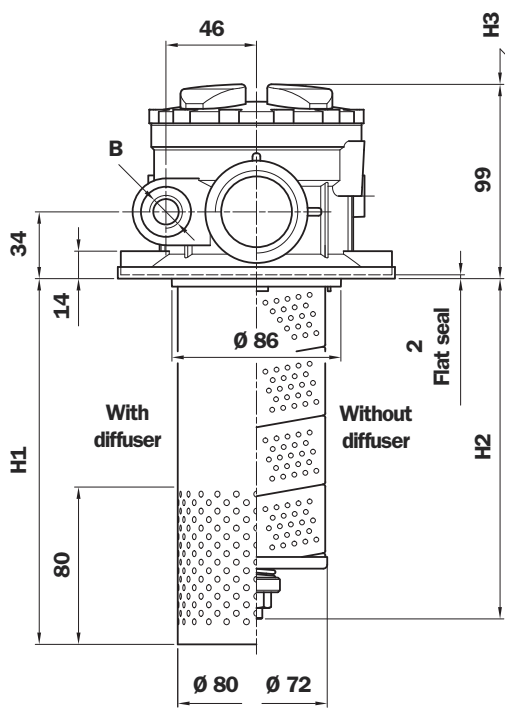
T indicator port
G 1/4" - 1/4" NPT
ON REQUEST

Filter Length	H1 mm	H2 mm	H3 mm
1	188	129	255
2	188	173	255
3	238	223	305
4	338	323	405
5	438	423	505

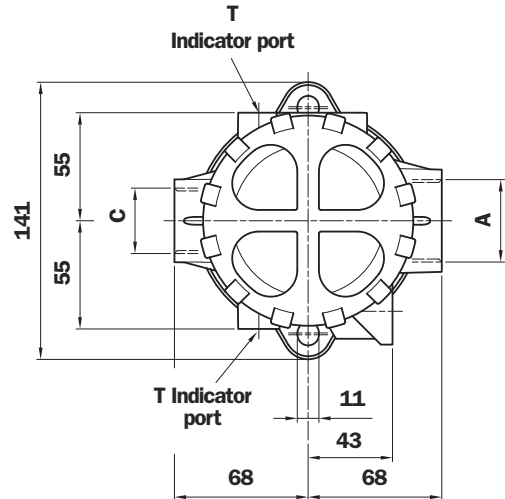
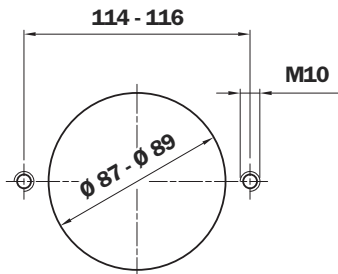
Thread connections A

Type	A	T
G1	G 3/4"	G 1/8"
G2	G 1"	G 1/8"
G3	G 1 1/4"	G 1/8"
G4	3/4" NPT	1/8" NPT
G5	1" NPT	1/8" NPT
G6	1 1/4" NPT	1/8" NPT
G7	SAE 12 - 1 1/16" - 12 UN	1/8" NPT
G8	SAE 16 - 1 5/16" - 12 UN	1/8" NPT
G9	SAE 20 - 1 5/8" - 12 UN	1/8" NPT

MPH 120



Holes on the tank



Thread connections A and C

Type	A	C	T
G1	G 3/4"	G 3/4"	G 1/8"
G2	G 1"	G 1"	G 1/8"
G3	G 1 1/4"	G 3/4"	G 1/8"
G4	3/4" NPT	3/4" NPT	1/8" NPT
G5	1" NPT	1" NPT	1/8" NPT
G6	1 1/4" NPT	3/4" NPT	1/8" NPT
G7	SAE 12 - 1 1/16" - 12 UN	SAE 12 - 1 1/16" - 12 UN	1/8" NPT
G8	SAE 16 - 1 5/16" - 12 UN	SAE 16 - 1 5/16" - 12 UN	1/8" NPT
G9	SAE 20 - 1 5/8" - 12 UN	SAE 12 - 1 1/16" - 12 UN	1/8" NPT

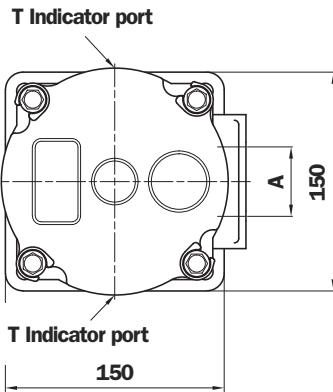
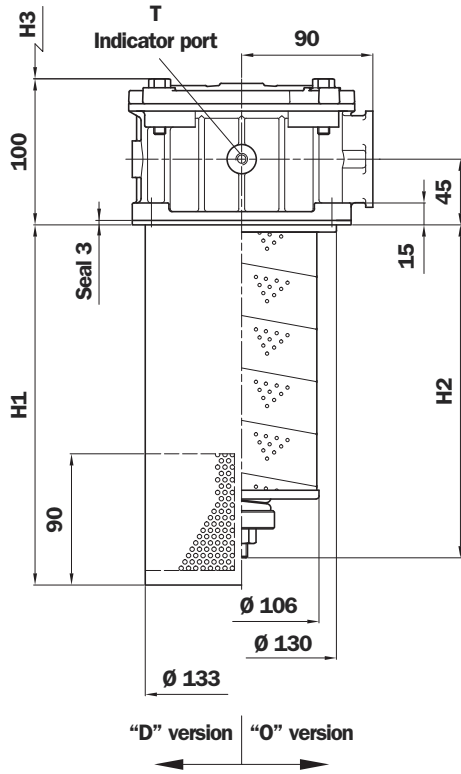
Filter Length	H1 mm	H2 mm	H3 mm
1	188	129	255
2	188	173	255
3	238	223	305
4	338	323	405
5	438	423	505

T indicator port
G 1/4" - 1/4" NPT
ON REQUEST

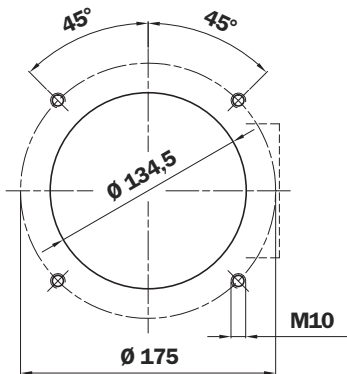
Thread connections A	Thread connections B		
	0	1	2
G1 - G2 - G3	not machined	G 3/8"	G 1/2"
G4 - G5 - G6	not machined	3/8" NPT	1/2" NPT
G7 - G8 - G9	not machined	SAE 6 - 9/16" - 18 UNF	SAE 8 - 3/4" - 16 UNF

MPH 250

1 connection port

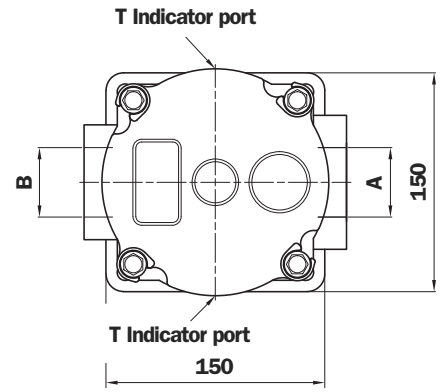
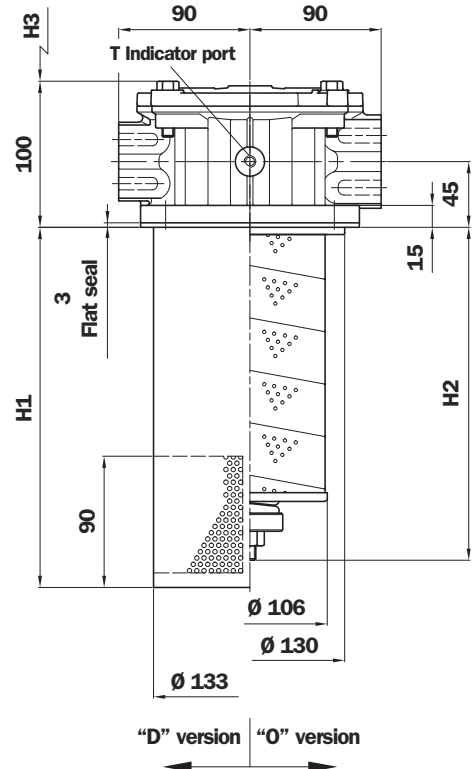


Holes on the tank

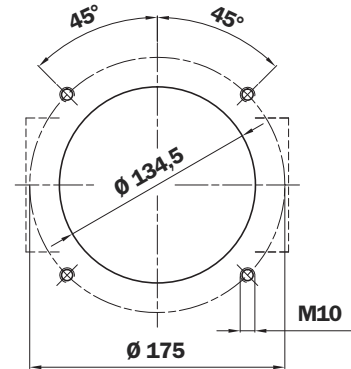


MPH 250

2 connection port



Holes on the tank



Thread connections

Type	A	B	T
G1	G 1 1/2"	-	G 1/8"
G2	G 1 1/2"	G 1 1/4"	G 1/8"
G4	1 1/2" NPT	-	1/8" NPT
G5	1 1/2" NPT	1 1/4" NPT	1/8" NPT
G7	SAE 24 - 1 7/8" - 12 UN	-	1/8" NPT
G8	SAE 24 - 1 7/8" - 12 UN	SAE 20 - 1 5/8" - 12 UN	1/8" NPT

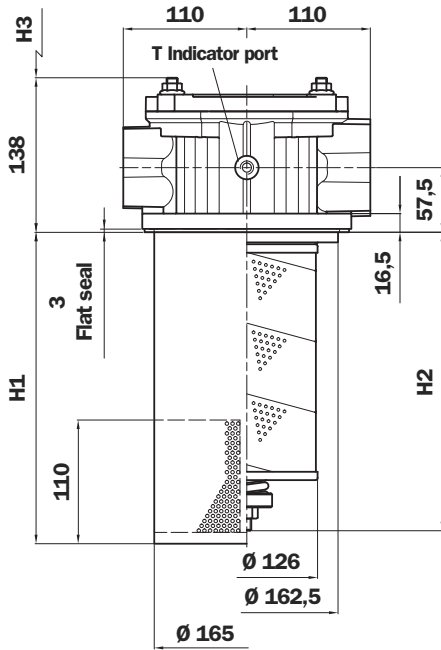
Filter Length	H1 mm	H2 mm	H3 mm
1	247	182	255
2	247	231	305
3	317	302	375
4	507	502	580

Flange connections*

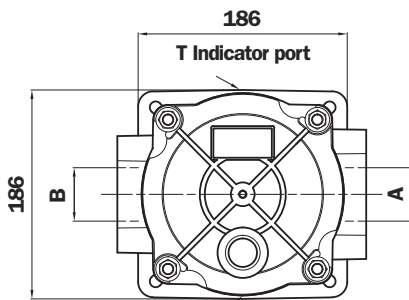
Type	A	B	T
F1	1 1/2" SAE 3000 psi/M	-	G 1/8"
F2	1 1/2" SAE 3000 psi/M	1 1/4" SAE 3000 psi/M	G 1/8"
F3	1 1/2" SAE 3000 psi/UNC	-	1/8" NPT
F4	1 1/2" SAE 3000 psi/UNC	1 1/4" SAE 3000 psi/UNC	1/8" NPT

*Connections table "DN - SAE flange" see page 39

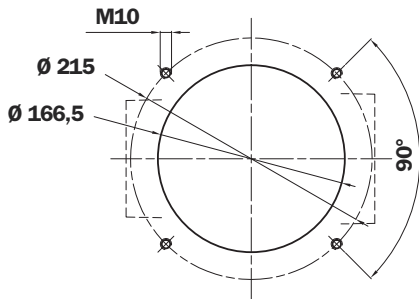
MPH 630



“D” version “O” version



T Indicator port
Holes on the tank



MPH 630

Filter Length	H1 mm	H2 mm	H3 mm
1	278	260	330
2	358	340	410
3	458	440	510
4	548	528	600
5	848	829	900

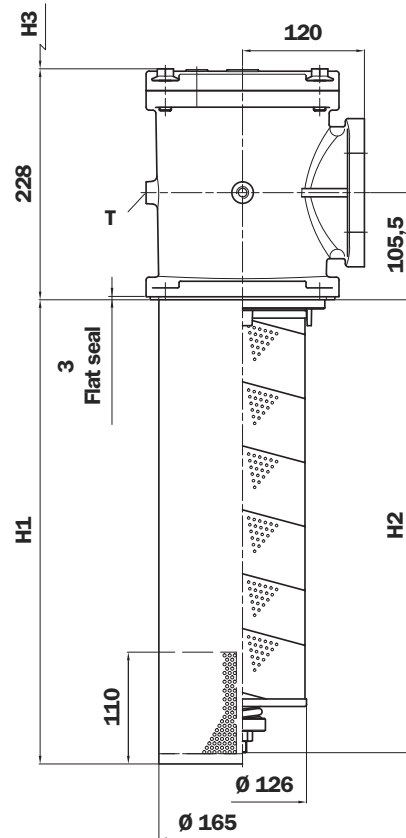
MPH 630

Flange connections*

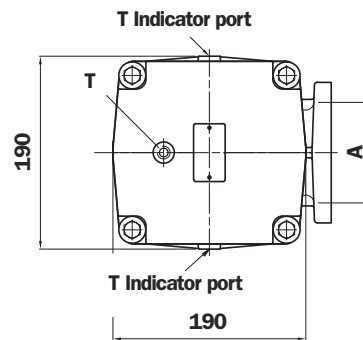
Type	A	B	T
F1	2 1/2" SAE 3000 psi/M	not machined	G 1/8"
F2	2 1/2" SAE 3000 psi/M	2" SAE 3000 psi/M	G 1/8"
F3	2 1/2" SAE 3000 psi/UNC	not machined	1/8" NPT
F4	2 1/2" SAE 3000 psi/UNC	2" SAE 3000 psi/UNC	1/8" NPT

*Connections table "DN - SAE flange" see page 39

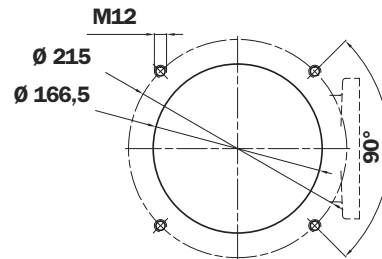
MPH 660



“D” version “O” version



Holes on the tank



MPH 660

Filter Length	H1 mm	H2 mm	H3 mm
4	548	538	610
5	848	838	910

MPH 660

Flange connections*

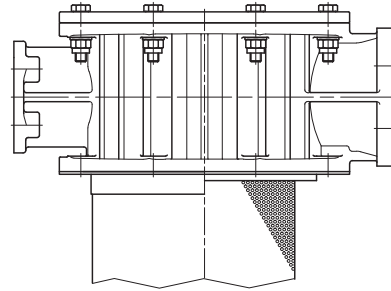
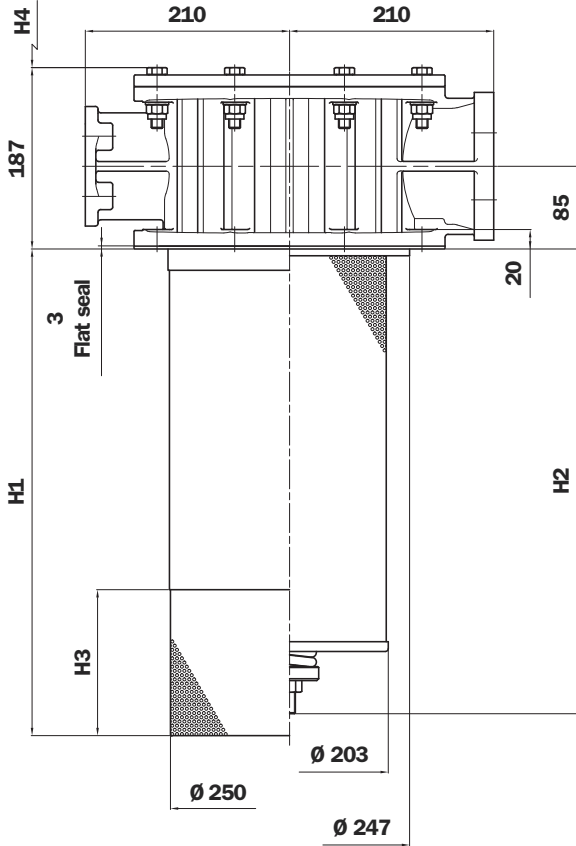
Type	A	T
F1	3" SAE 3000 psi/M	G 1/8"
F2	4" SAE 3000 psi/M	G 1/8"

*Connections table "DN - SAE flange" see page 39

MPH 850

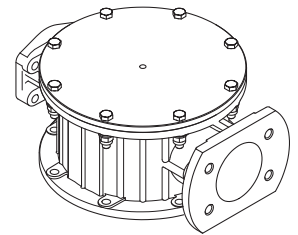
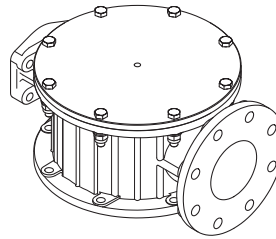
Connection type F1 - F3 (DN - SAE)

Connection type F5 - F6 - F7 - F8 (SAE - SAE)

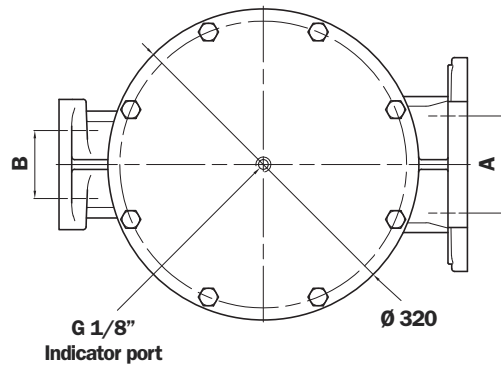
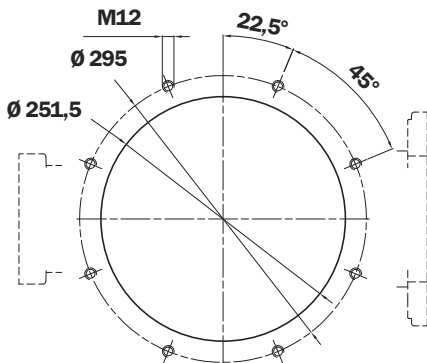


Indicative view for
connection DN - SAE

Indicative view for
connection SAE - SAE



Holes on the tank



SAE - SAE Flange connections*

Type	A	B
F5	not machined	3" SAE 3000 psi/M
F6	not machined	3" SAE 3000 psi/UNC
F7	4" SAE 3000 psi/M	3" SAE 3000 psi/M
F8	4" SAE 3000 psi/UNC	3" SAE 3000 psi/UNC

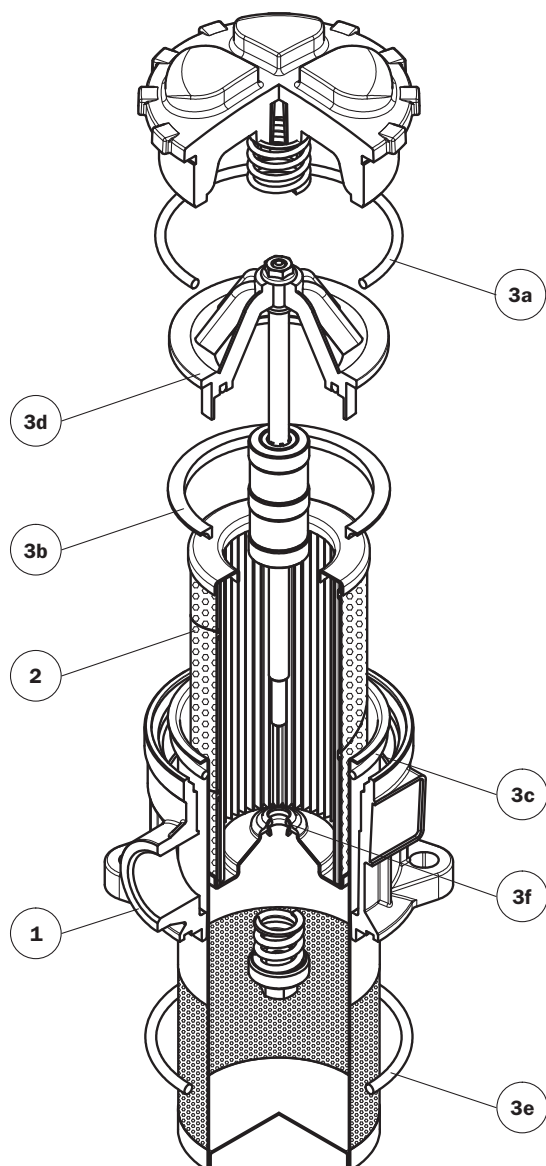
*Connections table "DN - SAE flange" see page 39

DN - SAE Flange connections*

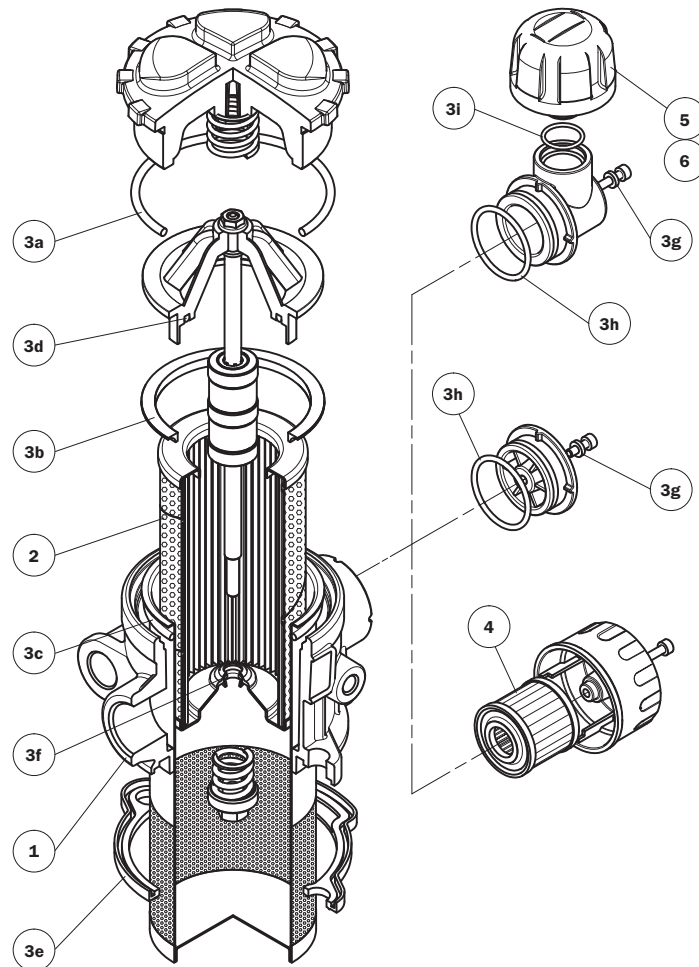
Type	A	B
F1	DN 100 PN 10/16 UNI 2223	3" SAE 3000 psi/M
F3	DN 100 PN 10/16 UNI 2223	3" SAE 3000 psi/UNC

Filter Length	H1 mm	H2 mm	H3 mm	H4 mm
1	419	383	150	515
2	634	598	150	730
3	914	878	250	1010
4	1179	1143	250	1275

Spare parts

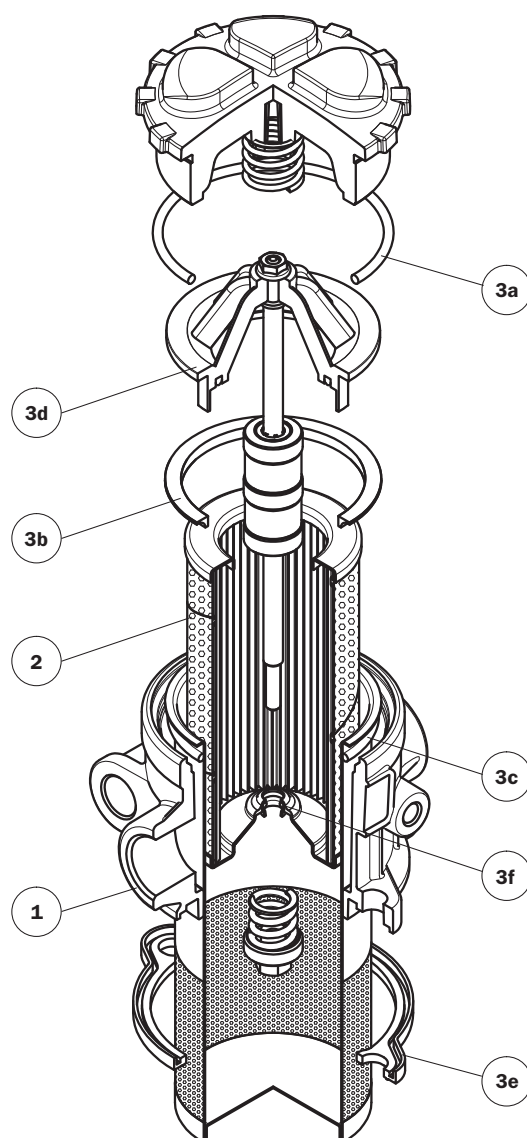


Item	Description	Q.ty	FILTER Series MPH 104	
1	Filter assembly	1	See order table	
2	Filter element	1	See order table	
3	Seal Kit	1	NBR 02050390	FPM 02050409
3a	Cover seal	1	O-R Metric Ø 90 x 4	
3b	External seal for insert assembly with diffuser	1	01026554	01026560
	External seal for insert assembly without diffuser	1	O-R 4275 Ø 69,44 x 3,53	
3c	Diffuser seal	1	O-R 4312 Ø 78,97 x 3,53	
3d	Insert assembly	1	02019052	02019053
3e	Head seal without air breather	1	O-R Metric Ø 90 x 4	
3f	Filter element seal	1	O-R Metric Ø 7,5 x 3	

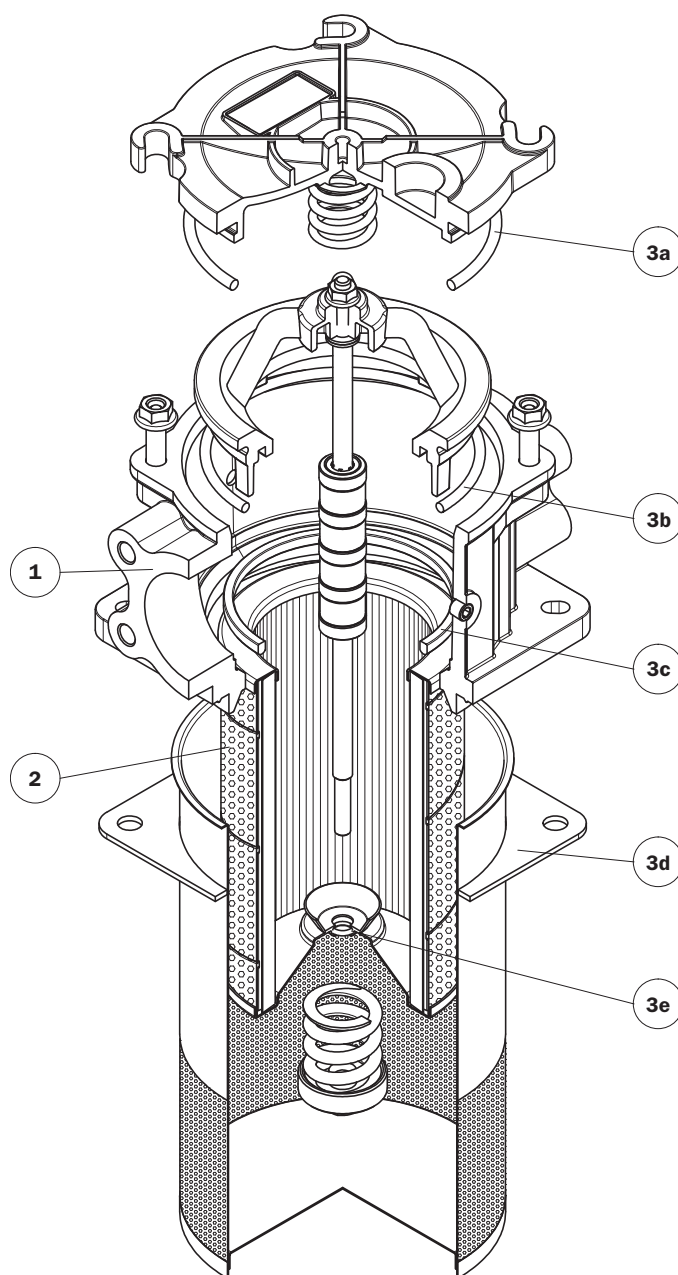


Item	Description	Q.ty	FILTER Series MPH 110		FILTER Series MPH 114	
			NBR 02050565	FPM 02050566	NBR 02050582	FPM 02050583
1	Filter assembly	1	See order table		See order table	
2	Filter element	1	See order table		See order table	
3	Seal Kit	1	NBR 02050565	FPM 02050566	NBR 02050582	FPM 02050583
3a	Cover seal	1	O-R Metric Ø 90 x 4		O-R Metric Ø 90 x 4	
3b	External seal for insert assembly with diffuser	1	01026554	01026560	01026554	01026560
	External seal for insert assembly without diffuser	1	O-R 4275 Ø 69,44 x 3,53		O-R 4275 Ø 69,44 x 3,53	
3c	Diffuser seal	1	O-R 4312 Ø 78,97 x 3,53		O-R 4312 Ø 78,97 x 3,53	
3d	Insert assembly internal seal	1	01026295	01026296	01026295	01026296
3e	Head seal	1	01026351	01026352	01026371	01026372
3f	Filter element seal	1	O-R Metric Ø 7,5 x 3		O-R Metric Ø 7,5 x 3	
3g	Air breather screw seal	1	01026346	01026347	01026346	01026347
3h	Plug - Anti-splash seal	1	O-R 3131 Ø 32,99 x 2,62		O-R 3131 Ø 32,99 x 2,62	
3i	SAP50 seal	1	O-R 2068 Ø 17,17 x 1,78		O-R 2068 Ø 17,17 x 1,78	
4	Air breather filter element "C" version	1	10 µm A5L03		10 µm A5L03	
5	Air breather filter element "D" version	1	10 µm SAP50G3L03A0P01		10 µm SAP50G3L03A0P01	
6	Air breather filter element "P" version	1	10 µm SAP50G3L03A1P01		10 µm SAP50G3L03A1P01	

Spare parts



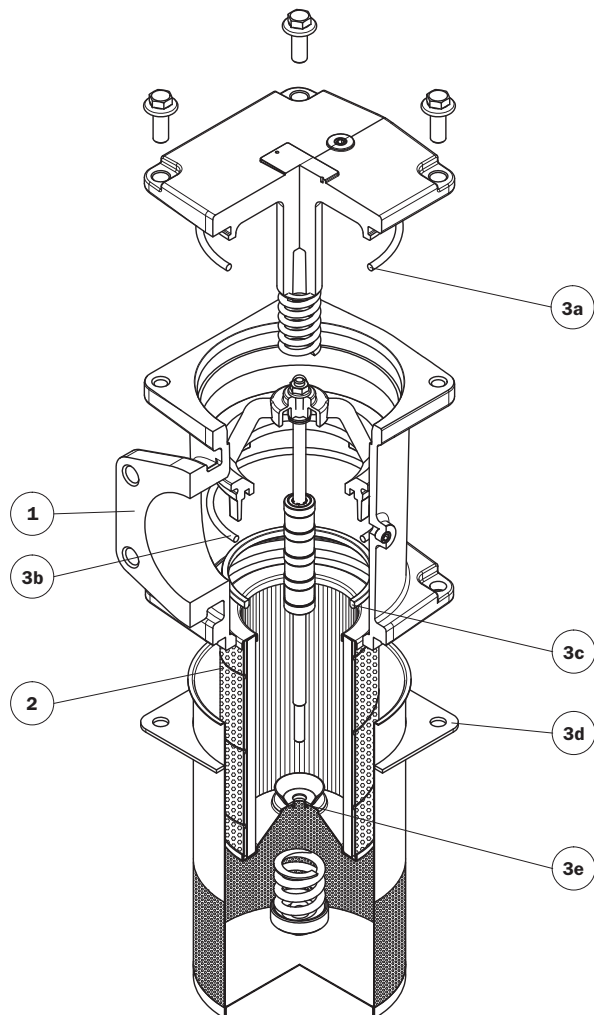
Item	Description	Q.ty	FILTER Series MPH 120	
1	Filter assembly	1	See order table	
2	Filter element	1	See order table	
3	Seal Kit	1	NBR 02050567	FPM 02050568
3a	Cover seal	1	O-R Metric Ø 90 x 4	
3b	External seal for insert assembly with diffuser	1	01026554	01026560
	External seal for insert assembly without diffuser	1	O-R 4275 Ø 69,44 x 3,53	
3c	Diffuser seal	1	O-R 4312 Ø 78,97 x 3,53	
3d	Insert assembly internal seal	1	01026295	01026296
3e	Head seal	1	01026361	01026362
3f	Filter element seal	1	O-R Metric Ø 7,5 x 3	



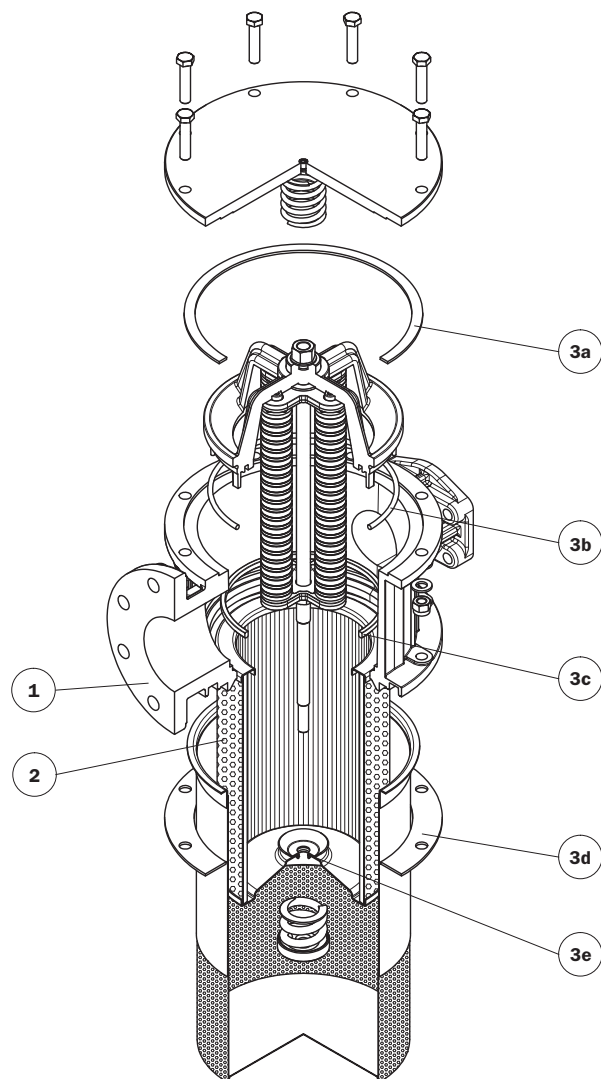
Item	Description	Q.ty	FILTER Series			
			MPH 250		MPH 630	
1	Filter assembly	1	See order table			
2	Filter element	1	See order table			
3	Seal Kit	1	NBR 02050151	FPM 02050152	NBR 02050153	FPM 02050154
3a	Cover seal	1	O-R Metric Ø 119 x 5,7		O-R Metric Ø 149,3 x 5,7	
3b	Insert assembly external seal	1	O-R 4437 Ø 110,70 x 3,53		O-R 210 Ø 133,40 x 5,34	
3c	Insert assembly internal seal	1	01026217	01026220	01026228	01026229
3d	Head seal	1	01026549	01026561	01026545	01026562
3e	Filter element seal	1	O-R 112 Ø 9,92 x 2,62		O-R 112 Ø 9,92 x 2,62	

Spare parts

MPH 660



MPH 850



Item	Description	Q.ty	FILTER Series			
			MPH 660		MPH 850	
1	Filter assembly	1	See order table			
2	Filter element	1	See order table			
3	Seal Kit	1	NBR 02050153	FPM 02050154	NBR 02050155	FPM 02050156
3a	Cover seal	1	O-R Metric Ø 149,30 x 5,7		01026185	01026564
3b	Insert assembly external seal	1	O-R 210 Ø 133,40 x 5,34		O-R Metric Ø 209,30 x 5,70	
3c	Insert assembly internal seal	1	01026228	01026229	01026248	01026249
3d	Head seal	1	01026545	01026562	01026325	01026563
3e	Filter element seal	1	O-R 112 Ø 9,92 x 2,62		O-R 117 Ø 13,10 x 2,62	

Ordering information MPH 104 - 114

Filter assembly	1	2	3	4	5	6a	7	8	9
MPH	<input type="checkbox"/>	<input type="checkbox"/>	<input type="checkbox"/>	<input type="checkbox"/>	<input type="checkbox"/>	<input type="checkbox"/>	<input type="checkbox"/>	<input type="checkbox"/>	<input type="checkbox"/>

Example 1: MPH 104 1 114 C D S A G1 A25 P01
Example 2: MPH 114 3 E D C A G2 M60 P01

Filter element	1	2	8	6b	9
MR	<input type="checkbox"/>	<input type="checkbox"/>	<input type="checkbox"/>	<input type="checkbox"/>	<input type="checkbox"/>

Example 1: MR 100 1 A25 A P01
Example 2: MR 100 3 M60 A P01

1 - Style

Filter	Filter element
<input type="checkbox"/> 104	<input type="checkbox"/> 100
<input type="checkbox"/> 114	<input type="checkbox"/> 100

2 - Filter length

<input type="checkbox"/> 104	<input type="checkbox"/> 1	<input type="checkbox"/> 2	<input type="checkbox"/> 3	<input type="checkbox"/> 4	<input type="checkbox"/> 5
<input type="checkbox"/> 114	<input type="checkbox"/> 1	<input type="checkbox"/> 2	<input type="checkbox"/> 3	<input type="checkbox"/> 4	<input type="checkbox"/> 5

3 - By-pass valve

<input type="checkbox"/> S	Without bypass
<input type="checkbox"/> C	1,75 bar
<input type="checkbox"/> E	2,5 bar

4 - Execution

<input type="checkbox"/> O	Without diffuser and with magnetic column
* <input type="checkbox"/> D	With diffuser and with magnetic column
<input type="checkbox"/> E	Without diffuser and without magnetic column
* <input type="checkbox"/> F	With diffuser and without magnetic column

5 - Air breather

<input type="checkbox"/> S	Without air breather
<input type="checkbox"/> C	(1) With air breather 10 µ
<input type="checkbox"/> D	(1) Anti-splash and SAP50 10 µ air breather
<input type="checkbox"/> P	(1) Anti-splash, SAP50 10 µ air breather and pressurization 0,5 bar

(1) Excluded MPH 104

6 - Filter seals & Treatment

6a - Filter assembly

<input type="checkbox"/> A	NBR
<input type="checkbox"/> V	FPM
<input type="checkbox"/> W	NBR, Head anodized - filter element compatible with fluid HFA, HFB, HFC (only for filter element type Axx and Mxx)
<input type="checkbox"/> Z	FPM, Head anodized - filter element compatible with fluid HFA, HFB, HFC (only for filter element type Axx and Mxx)

6b - Filter element

<input type="checkbox"/> A	NBR
<input type="checkbox"/> V	FPM

7 - Connections

MPH 104 - 114

Type	A
G1	G 3/4"
G2	G 1"
G3	G 1 1/4"
G4	3/4" NPT
G5	1" NPT
G6	1 1/4" NPT
G7	SAE 12 - 1 1/6" - 12 UN
G8	SAE 16 - 1 5/16" - 12 UN
G9	SAE 20 - 1 5/8" - 12 UN

5 - Filter element

<input type="checkbox"/> A03	Inorganic microfibre 3 µm	Absolute filtration Inorganic Microfibre βx (c) ≥ 1000
<input type="checkbox"/> A06	Inorganic microfibre 6 µm	
<input type="checkbox"/> A10	Inorganic microfibre 10 µm	
<input type="checkbox"/> A16	Inorganic microfibre 16 µm	
<input type="checkbox"/> A25	Inorganic microfibre 25 µm	
<input type="checkbox"/> M25	Wire mesh 25 µm	Nominal Filtration
<input type="checkbox"/> M60	Wire mesh 60 µm	
<input type="checkbox"/> M90	Wire mesh 90 µm	
<input type="checkbox"/> P10	Resin - Impregnated paper	Nominal Filtration
<input type="checkbox"/> P25	Resin - Impregnated paper	

9 - Option

<input type="checkbox"/> P01	MP Filtri standard
------------------------------	--------------------

* Use of diffuser recommended

For Clogging Indicator:
See page 318

MP Filtri - The filter functions as described in this bulletin are valid exclusively for original MP Filtri filter elements and replacement parts. All rights reserved.

The data in this publication are purely guideline. MP Filtri reserves the right to make changes to the models described herein at any time it deems fit in relation to technical or commercial requirements. The colours of the products shown on the cover are purely guideline. Copyright. All rights reserved.

Ordering information MPH 110 - 120

Filter assembly

MPH

	1	2	3	4	5	6a	7	8	9	10
Example 1: MPH	110	2	E	D	C	A	G2	1	A10	P01
Example 2: MPH	120	5	C	O		A	G3	2	A25	P01

Filter element

MR

	1	2	9	6b	10
Example 1: MR	100	2	A10	A	P01
Example 2: MR	100	5	A25	A	P01

1 - Style

Filter	Filter element
110	100
120	100

2 - Filter length

110	1	2	3	4	5
120	1	2	3	4	5

3 - By-pass valve

S	Without bypass
C	1,75 bar
E	2,5 bar

4 - Execution

O	Without diffuser and with magnetic column
D	With diffuser and with magnetic column
* E	Without diffuser and without magnetic column
* F	With diffuser and without magnetic column

5 - Air breather (omit for MPH 120)

S	Without air breather
C	With air breather 10 µ
D	Anti-splash and SAP50 10 µ air breather
P	Anti-splash and SAP50 10 µ air breather pressurization 0,5 bar

6 - Filter seals & Treatment

6a - Filter assembly

A	NBR
V	FPM
W	NBR, Head anodized - filter element compatible with fluid HFA, HFB, HFC (only for filter element type Axx and Mxx)
Z	FPM, Head anodized - filter element compatible with fluid HFA, HFB, HFC (only for filter element type Axx and Mxx)

6b - Filter element

A	NBR
V	FPM

7 - Connections A - C

MPH 110 Connections A MPH 120 Connections A and C

Type	A	C
G1	G 3/4"	G 3/4"
G2	G 1"	G 1"
G3	G 1 1/4"	G 3/4"
G4	3/4" NPT	3/4" NPT
G5	1" NPT	1" NPT
G6	1 1/4" NPT	3/4" NPT
G7	SAE 12 - 1 1/16" - 12 UN	SAE 12 - 1 1/16" - 12 UN
G8	SAE 16 - 1 5/16" - 12 UN	SAE 16 - 1 5/16" - 12 UN
G9	SAE 20 - 1 5/8" - 12 UN	SAE 12 - 1 1/16" - 12 UN

8 - Connections B

Type	Connections A		
	G1 - G2 - G3	G4 - G5 - G6	G7 - G8 - G9
0	not machined	not machined	not machined
1	G 3/8"	3/8" NPT	SAE 6 - 9/16" - 18 UNF
2	G 1/2"	1/2" NPT	SAE 8 - 3/4" - 16 UNF

9 - Filter element

A03	Inorganic microfibre 3 µm	Absolute filtration Inorganic Microfibre βx (c) ≥ 1000
A06	Inorganic microfibre 6 µm	
A10	Inorganic microfibre 10 µm	
A16	Inorganic microfibre 16 µm	
A25	Inorganic microfibre 25 µm	Nominal Filtration
M25	Wire mesh 25 µm	
M60	Wire mesh 60 µm	
M90	Wire mesh 90 µm	Nominal Filtration
P10	Resin - Impregnated paper	
P25	Resin - Impregnated paper	

10 - Option

P01	MP Filtri standard
------------	--------------------

* Use of diffuser recommended

For Clogging Indicator:
See page 318

MP Filtri - The filter functions as described in this bulletin are valid exclusively for original MP Filtri filter elements and replacement parts. All rights reserved.

The data in this publication are purely guideline. MP Filtri reserves the right to make changes to the models described herein at any time it deems fit in relation to technical or commercial requirements. The colours of the products shown on the cover are purely guideline. Copyright. All rights reserved.

Ordering information MPH 250-630-660-850

Filter assembly

MPH

1 2 3 4 5 6a 7 8 9

Example: MPH 250 1 C D S A G1 A25 P01

Filter element

MR

1 2 8 6b 9

Example: MR 250 1 A10 A P01

1 - Style

Filter	Filter element
250	250
630	630
660	630
850	850

2 - Filter length

250	1	2	3	4	
630	1	2	3	4	5
660				4	5
850	1	2	3	4	

3 - By-pass valve

S	Without bypass
C	1,75 bar
E	2,5 bar (not available for MPH 850)

4 - Execution

O	Without diffuser and with magnetic column
* D	With diffuser and with magnetic column
E	Without diffuser and without magnetic column
* F	With diffuser and without magnetic column

5 - Air breather

S	Without air breather
---	----------------------

6 - Filter seals & Treatment

6a - Filter assembly

A	NBR
V	FPM
W	NBR, Head anodized - filter element compatible with fluid HFA, HFB, HFC (only for filter element type Axx and Mxx)
Z	FPM, Head anodized - filter element compatible with fluid HFA, HFB, HFC (only for filter element type Axx and Mxx)

6b - Filter element

A	NBR
V	FPM

7 - Connections

MPH 250

Type	A	B
G1	G 1 1/2"	-
G2	G 1 1/2"	G 1 1/4"
G4	1 1/2" NPT	-
G5	1 1/2" NPT	1 1/4" NPT
G7	SAE 24 - 1 7/8" 12 UN	-
G8	SAE 24 - 1 7/8" 12 UN	SAE 20 - 1 5/8" - 12 UN
F1	1 1/2" SAE 3000 psi/M	-
F2	1 1/2" SAE 3000 psi/M	1 1/4" SAE 3000 psi/M
F3	1 1/2" SAE 3000 psi/UNC	-
F4	1 1/2" SAE 3000 psi/UNC	1 1/4" SAE 3000 psi/UNC

MPH 630

Type	A	B
F1	2 1/2" SAE 3000 psi/M	not machined
F2	2 1/2" SAE 3000 psi/M	2" SAE 3000 psi/M
F3	2 1/2" SAE 3000 psi/UNC	not machined
F4	2 1/2" SAE 3000 psi/UNC	2" SAE 3000 psi/UNC

MPH 660

Type	A
F1	3" SAE 3000 psi/M
F2	4" SAE 3000 psi/M

MPH 850 DN-SAE

Type	A	B
F1	DN 100 PN 10/16 UNI 2223	3" SAE 3000 psi/M
F3	DN 100 PN 10/16 UNI 2223	3" SAE 3000 psi/UNC

MPH 850 SAE-SAE

Type	A	B
F5	not machined	3" SAE 3000 psi/M
F6	not machined	3" SAE 3000 psi/UNC
F7	4" SAE 3000 psi/M	3" SAE 3000 psi/M
F8	4" SAE 3000 psi/UNC	3" SAE 3000 psi/UNC

8 - Filter element

A03	Inorganic microfibre 3 µm	Absolute filtration Inorganic Microfibre βx (c) ≥ 1000
A06	Inorganic microfibre 6 µm	
A10	Inorganic microfibre 10 µm	
A16	Inorganic microfibre 16 µm	
A25	Inorganic microfibre 25 µm	
M25	Wire mesh 25 µm	Nominal Filtration
M60	Wire mesh 60 µm	
M90	Wire mesh 90 µm	
P10	Resin - Impregnated paper	Nominal Filtration
P25	Resin - Impregnated paper	

9 - Option

P01	MP Filtri standard
-----	--------------------

* Use of diffuser recommended

For Clogging Indicator:
See page 318

MP Filtri - The filter functions as described in this bulletin are valid exclusively for original MP Filtri filter elements and replacement parts. All rights reserved.

The data in this publication are purely guideline. MP Filtri reserves the right to make changes to the models described herein at any time it deems fit in relation to technical or commercial requirements. The colours of the products shown on the cover are purely guideline. Copyright. All rights reserved.