



### DESCRIPTION

This compact, simple vacuum switch is suitable for many applications. It is designed for easy installation and quick access to the set point. It is available in factory set or adjustable ranges.

### FEATURES

- Gold plated silver alloy contacts
- High current ratings
- Works well with extreme temperature
- Economical

### APPLICATIONS

- Vacuum generators
- Industrial automation
- Engine load monitoring

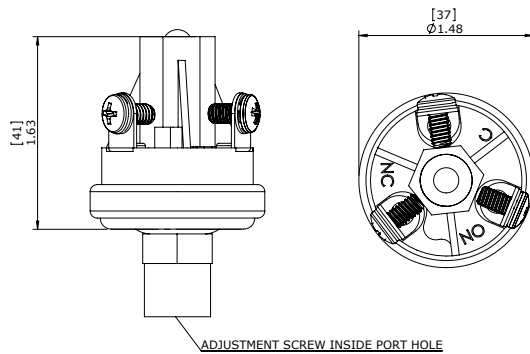
### Specifications

Electrical	Resistive	Inductive
	15 AMP - 6 VDC	1 AMP - 120 VAC
	8 AMP - 12 VDC	0.5 AMP - 240 VAC
	4 AMP - 24 VDC	
Switch Type	Blade Contact	
Protection	Terminals - IP00	
Temperature Range	-40°F to 248°F (-40°C to 120°C)	
Diaphragm Material	Standard: Fluorosilicone elastomer	
Housing Material	Brass, Glass Reinforced Polyester (Optional 304 Stainless Steel)	
Maximum Operating Pressure	30 inHg Vacuum (1.02 BAR)	
Burst Pressure	150 PSI (10.3 BAR)	
Weight	0.14 lbs (0.06 kg)	

### Vacuum Range

Model	Adjustment Range	
	inHg	Millibar
1	1.1 - 3	37 - 101
2	4 - 8	135 - 270
3	9 - 17	305 - 575
4	18 - 22	610 - 745

### Dimensions



### Wiring Code

CONTACT	FLYING LEADS	FLWF / FLWM FLCM / FLCF / FLPM / FLPF		FLDR / FLDP	
		SPDT MODEL	SPST MODEL	SPDT MODEL	SPST MODEL
		COMMON	BLACK	PIN A	PIN A
NORMALLY CLOSED	BLUE	PIN C	PIN B	PIN C	PIN 2
NORMALLY OPEN	RED	PIN B	PIN B	PIN B	PIN 2

VACUUM SWITCH

## Ordering Information

### Field Adjustable

SPVL - <sup>1</sup>2 - <sup>2</sup>2M - <sup>3</sup>A - <sup>4</sup>SP - <sup>5 (Optional)</sup>2

### Factory Preset

SPVF - <sup>1</sup>17F - <sup>2</sup>2M - <sup>3</sup>A - <sup>4</sup>SP - <sup>5 (Optional)</sup>2

## 1 - Vacuum Selection:

Field Adjustable - Select Model Code

Insert set point value XXXX followed by: R, F, MR, or MF

Model	Adjustment Range	
	inHg	Millibar
<b>1</b>	1.1 - 3	37 - 101
<b>2</b>	4 - 8	135 - 270
<b>3</b>	9 - 17	305 - 575
<b>4</b>	18 - 22	610 - 745

OR

Set Point	Direction	Description
XXXX	<b>R</b>	inHg Rising Vacuum
	<b>F</b>	inHg Falling Vacuum
	<b>MR</b>	Millibar Rising Vacuum
	<b>MF</b>	Millibar Falling Vacuum

## 2 - Thread Options:

- 2M** - 1/8 NPT male
- 4M** - 1/4 NPT male
- 2G** - 1/8 BSPP male, G1/8
- 4G** - 1/4 BSPP male, G1/4

## 3 - Circuit:

- A** - SPST (Normally Open)
- B** - SPST (Normally Closed)

## 4 - Electrical Termination:

- FL** - Flying Lead 18" long, 18 AWG
- FLWF** - Flying Lead Weatherpack connector, female, Tower, 10" long leads
- FLWM** - Flying Lead Weatherpack connector, male, Shroud, 10" long leads
- FLDP** - Flying Lead Deutsch connector, plug, 10" long leads
- FLDR** - Flying Lead Deutsch connector, receptacle, 10" long leads
- FLCM** - Flying Lead Metripack, male, 150 series, 10" long leads
- FLCF** - Flying Lead Metripack, female, 150 series, 10" long leads
- FLPM** - Flying Lead Metripack, male, 280 series, 10" long leads
- FLPF** - Flying Lead Metripack, female, 280 series, 10" long leads
- SP** - 1/4" Spade
- TS** - Terminal Screws, #8-32

## 5 - Options (Omit if not required):

- 2** - EPDM Diaphragm
- 9** - 304 Stainless Steel Housing
- 20** - Seal adjustment Screw
- 30** - Rubber Boot - Removable



Note: Please see page 62 for other available options