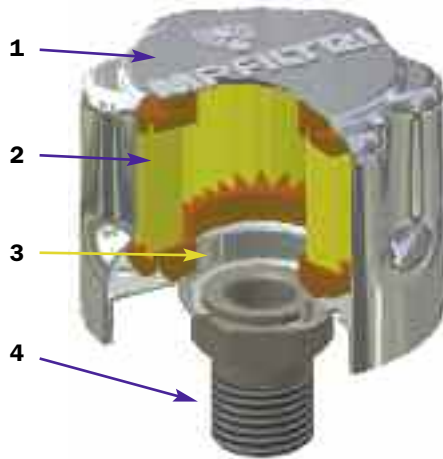


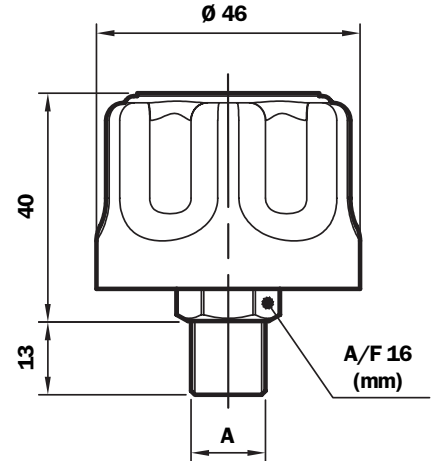
## Dimensions

### TA46G-N...P01

With filter



### Threaded connection



### TA46 G - N (Materials)

- 1 - Cover: Chrome plated steel
- 2 - Filter element: Impregnated paper  
Polyurethane
- 3 - Flange: Galvanised Steel
- 4 - Threaded connection: Phosphated Steel

### Flow rate with $\Delta p: 0,02$ bar

Filtration	$I_N$ /min
3 $\mu m$	150
10 $\mu m$	200

### Weight

TA 46: 0,110 kg

Connection	A
G	G 1/4"
N	1/4" NPT

## Ordering information

### Breather filter

TA46

Example: TA46

1	2	3
<input type="checkbox"/>	<input type="checkbox"/>	<input type="checkbox"/>
G	03	P01

### 1 - Connection to reservoir

G	G 1/4"
N	1/4" NPT

### 3 - Options

P01	MP Filtri standard
-----	--------------------

### 2 - Filter element

03	3 $\mu m$ - Impregnated paper
10	10 $\mu m$ - Polyurethane

## TA80.....P01

With filter



## TA80.03.9P01

With anti-splash feature



## TA80....1P01

With filter and pressurisation valve



# Ordering information

### Breather filter

TA80

Example: TA80

1	2	3	4	5
<input type="checkbox"/>	<input type="checkbox"/>	<input type="checkbox"/>	<input type="checkbox"/>	<input type="checkbox"/>
G	03	A	1	P01

### 1 - Connection to reservoir

<input type="checkbox"/>	G 3/4"
<input type="checkbox"/>	3/4" NPT

### 2 - Filter element

<input type="checkbox"/>	03	3 µm - Impregnated paper
<input type="checkbox"/>	10	10 µm - Polyurethane

### 3 - Seal

<input type="checkbox"/>	0	Without
<input type="checkbox"/>	A	NBR (pressurised only)

### 4 - Valves

<input type="checkbox"/>	0	Without
<input type="checkbox"/>	1	0,3 bar pressurisation valve
<input type="checkbox"/>	2	0,7 bar pressurisation valve
<input type="checkbox"/>	9	Anti-splash feature (only with filter element 3 µm)

### 5 - Options

<input type="checkbox"/>	P01	MP Filtri standard
--------------------------	-----	--------------------

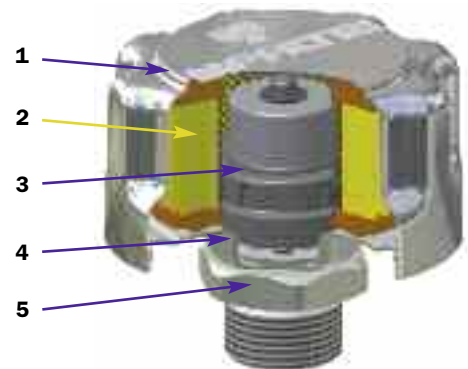
### Flow rate with $\Delta p$ : 0,02 bar

Filtration	$I_N$ /min
3 µm	450
10 µm	550

### Weight

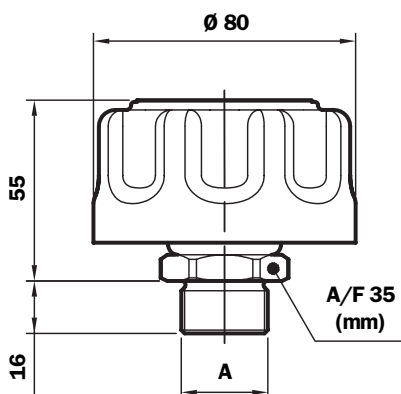
TA 80: 0,350 Kg

## TA80



# Dimensions

### Threaded connection



Connection	A
G	G 3/4"
N	3/4" NPT

### TA80 G (Materials)

- 1 - Cover: Chrome Plated Steel
- 2 - Filter element: Impregnated paper  
Polyurethane
- 3 - Pressurisation valve: Nylon  
Galvanised Steel  
NBR
- 4 - Flange: Galvanised Steel
- 5 - Threaded connection: Galvanised Steel
- 6 - Anti-slosh feature: Galvanised Steel