



## TEST POINTS

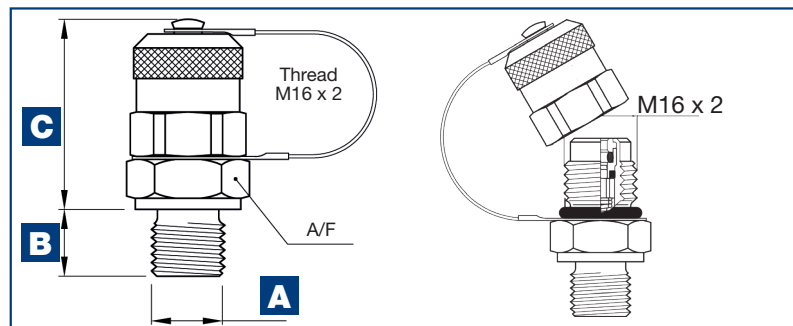
### DESCRIPTION

Anfield's test point plugs are designed to be complementary and interchangeable with similar equipment from other manufacturers. Test point plugs and probes are installed in the hydraulic system to monitor conditions without the need for system shutdown. They allow connection to a pressure gauge and can be used in both mobile or industrial applications where system monitoring is required.

### TECHNICAL DATA

- Conforms to ISO 1517-2
- Material/Coating: Steel, Zinc/Nickel-Plated  
Stainless Steel AISI 316- DIN 14436 (Optional)
- Seals: Viton (-4°F to 392°F / -20°C to 200°C) Standard  
Buna (-22°F to 248°F / -30°C to 120°C) (Optional)
- Working Pressure: 9100 psi (630 BAR) max
- Burst Pressure > 36,000 psi
- Compatibility: Hydraulic oils and mineral based oils
- All Anfield ball and poppet valve test points are supplied with an integrated anti-vibration O-ring

### DIMENSIONS

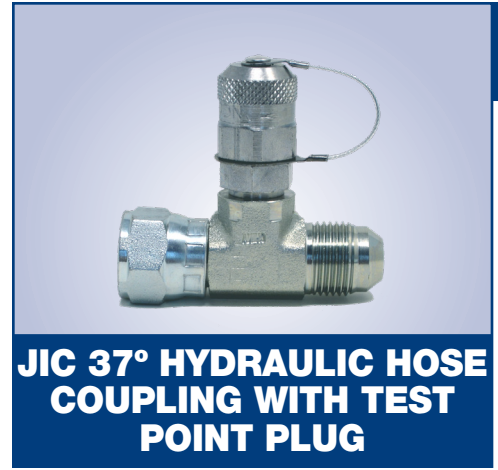


Part #	A	B	C	A/F	Max Pressure	Weight
TP2000-4BSPPV	1/4" BSPP	0.47"	1.38"	0.75"	9100 psi	0.16 lbs
TP2000-4SV	7/16-20 UNF (SAE-4)	0.43"	1.38"	0.67"	9100 psi	0.14 lbs
TP2000-6SV	9/16-18 UNF (SAE-6)	0.47"	1.38"	0.75"	9100 psi	0.16 lbs
TP2000-4NV	1/4" NPTF	0.55"	1.30"	0.67"	9100 psi	0.15 lbs
TP2000-2NV	1/8" NPTF	0.37"	1.30"	0.67"	5800 psi	0.13 lbs

\*Please contact Anfield for options available

## DESCRIPTION

Install JIC Hose Couplings between the female swivel nut of the flexible hose and the fixed male connection. The integral Test Point may then be used with Test Probes or test kits to obtain pressure or temperature checks during servicing or fault finding. The Fluid Sampling Probe is also compatible. All probes may be connected and disconnected at full system pressure without fluid loss or ingress of dirt.

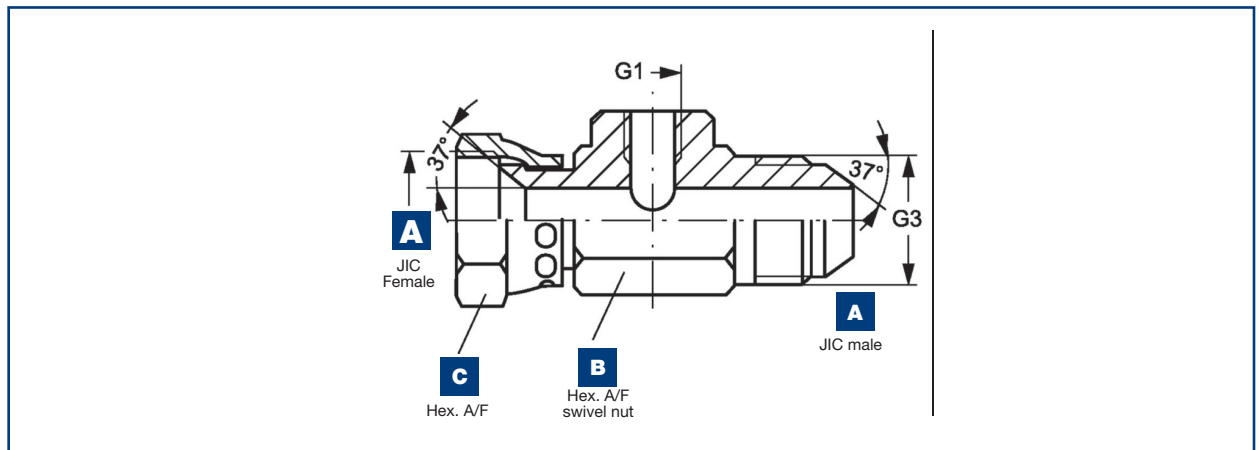


**JIC 37° HYDRAULIC HOSE COUPLING WITH TEST POINT PLUG**

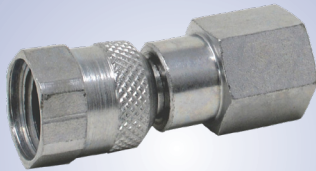
## TECHNICAL DATA

- Fitted with test point plug (European interchangeable)
- Can be used with direct or remote (flexible) test probes
- JIC 37° cone seat, Sizes: 1/4" to 1-1/2"
- Viton seals are standard -20°C to +200°C (-4°F to 392°F)
- Material/Coating: Steel, Zinc/Nickel-Plated

## DIMENSIONS



Part #	Size	A (JIC 37° Thread ISO 8434-2)	G1 (SAE straight thread Oring Boss Port)	B (A/F)	C (A/F)	Working Pressure
TP1040-4MV	1/4"	7/16"-20 UNF	7/16"-20 UNF	36 mm	17 mm	6100 psi
TP1040-6MV	3/8"	9/16"-18 UNF	7/16"-20 UNF	36 mm	19 mm	5000 psi
TP1040-8MV	1/2"	3/4"-16 UNF	7/16"-20 UNF	36 mm	22 mm	5000 psi
TP1040-10MV	5/8"	7/8"-14 UNF	7/16"-20 UNF	36 mm	27 mm	5000 psi
TP1040-12MV	3/4"	1-1/6"-12 UN	7/16"-20 UNF	41 mm	32 mm	5000 psi
TP1040-16MV	1"	1-5/16"-12 UN	7/16"-20 UNF	46 mm	38 mm	3600 psi
TP1040-20MV	1-1/4"	1-5/8"-12 UN	7/16"-20 UNF	50 mm	50 mm	3600 psi
TP1040-24MV	1-1/2"	1-7/8"-12 UN	7/16"-20 UNF	60 mm	60 mm	2400 psi



## PRESSURE GAUGE ADAPTOR

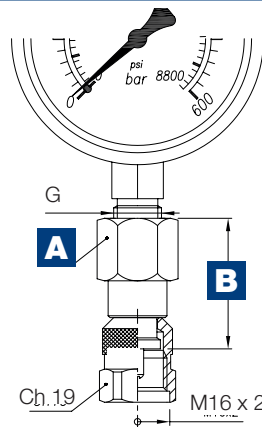
### DESCRIPTION

This Direct Gauge Adaptor Probe is designed for use with Test Point Plugs or with plugs of other manufacturers to ISO 15171-2 standard. The probe can be attached to any one of a number of plugs installed throughout the hydraulic system to facilitate random pressure readings during servicing and fault finding. Probes may be connected or disconnected at full system pressure without loss of oil or ingress of dirt.

### TECHNICAL DATA

- Conforms to ISO 15171-2 standard
- Working pressure up to 9100 PSI (630 BAR)
- Material/Coating: Steel, Zinc/Nickel-Plated
  - Stainless Steel AISI 316- DIN 14436 (Optional)
- For use with MPG series 2-1/2" & 4" diameter glycerine filled pressure gauges
- Suitable for TP2000 & TP1040 series test point plugs

### DIMENSIONS



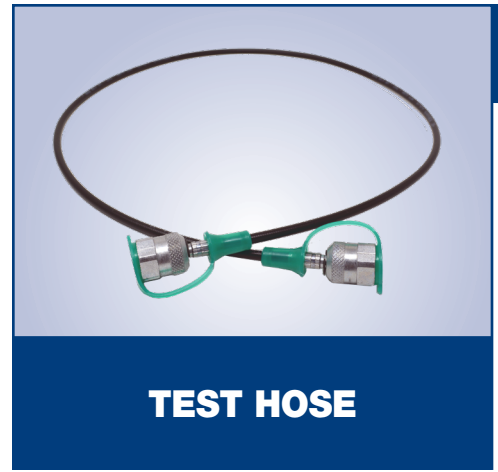
- Gauges sold separately refer to Anfield's MPG series Liquid Filled Gauges.

### PROBES

Part Number	Description	G (Gauge Thread)	A (A/F)	B
TP7000-4NV	Gauge Adaptor	1/4 NPTF	19 mm	1.34"

## DESCRIPTION

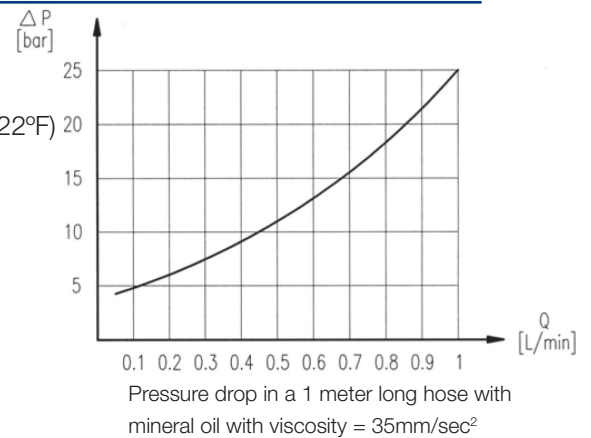
These Hose/Probe assemblies are designed to be complementary to and interchangeable with similar equipment from other manufacturers using ISO 15171-2 standards. The Hose/Probe forms the link between the ISO 15171-2 hydraulic system Test Point Plugs and the Pressure Gauge/Adaptor assemblies, the whole arrangement being used to obtain random pressure checks during servicing and fault finding. Probes may be connected and disconnected at full system pressure without fluid loss or ingress of dirt.



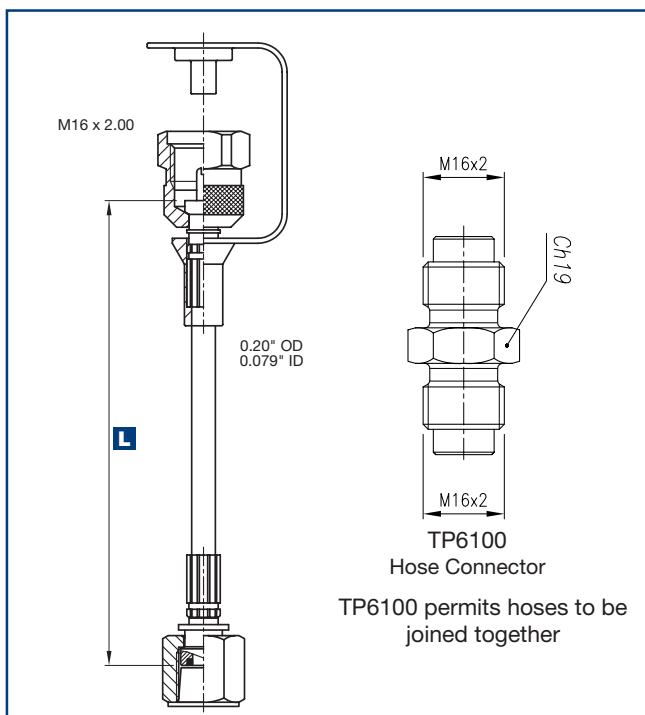
**TEST HOSE**

## TECHNICAL DATA

- Working pressure: max 9100 PSI (630 BAR)
- Working Temperature: -20°C to 100°C ( -4°F to 212°F)
- Temperature / 100% Working Pressure -20°C to 50°C (-4°F to 122°F)
- Hose material & Cover : Polyamide
- Material/Coating: Steel, Zinc/Nickel-Plated
- Nominal Bore (DN) (mm) DN2
- Inside Diameter: 2 mm +/- 1 mm
- Outside Diameter: 5 mm +/- 1 mm
- Weight per meter: 18 g



## DIMENSIONS



## ORDERING CODE

Part Number	L (Length)
TP6000-12	12" / 30.5 cm
TP6000-24	24" / 61.0 cm
TP-6000-36	36" / 91.4 cm
TP6000-48	48" / 122 cm
TP6000-60	60" / 152 cm
TP6000-72	72" / 183 cm
TP6000-120	120" / 305 cm
TP6000-130	130" / 330 cm
TP6000-144	144" / 366 cm
TP6000-180	180" / 457 cm
TP6000-300	300" / 762 cm
TP6000-360	360" / 914 cm
TP6000-480	480" / 1220 cm
TP6100	Hose Connector



## BULKHEAD PRESSURE GAUGE CONNECTION

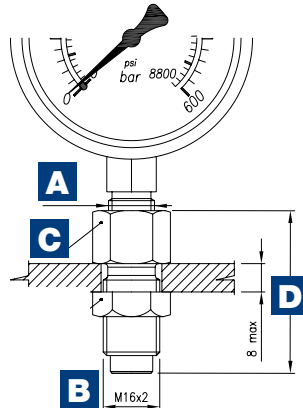
### DESCRIPTION

These adaptors are designed to be complementary to and interchangeable with similar equipment from other manufacturers using ISO 15171-2 standards. They are used to connect the gauge to Hose/Probe assemblies. Adaptors may be bulkhead mounted in a control console or test panel, or hand held for use in servicing and fault finding to obtain pressure checks when required. Test Point Plugs installed in the hydraulic system allow connection and disconnection at full system pressure without loss of oil or ingress of dirt.

### TECHNICAL DATA

- Conforms to ISO 15171-2 standard
- Working pressure up to 9100 PSI (630 BAR)
- Material/Coating: Steel, Zinc/Nickel-Plated
- To suit 1/4" or 1/2" NPTF
- For use with MPG series pressure gauge

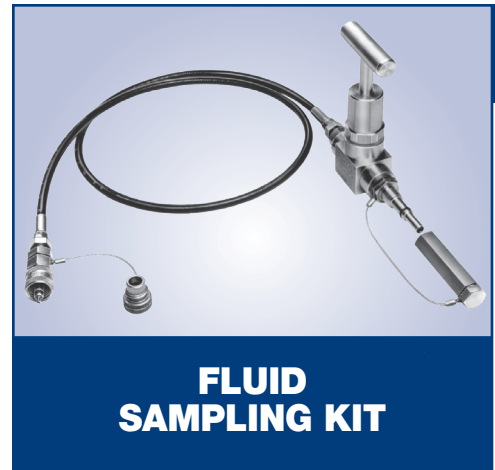
### DIMENSIONS



Part #	A Thread	B Thread	C (A/F)	D	Max Panel Thickness
TP3000-4NV	1/4 NPTF	M16 x 2	19 mm	51 mm / 2"	8 mm / 0.31"
TP3000-8NV	1/2" NPTF	M16 x 2	27 mm	58 mm / 2.28"	8 mm / 0.31"

## DESCRIPTION

The equipment comprises a screw on probe connected by flexible hose to an adjustable flow control valve which allows steady state fluid samples to be extracted from the working system ready for analysis. When used in conjunction with Test Point Plugs, the equipment facilitates the removal of fluid samples from selected points throughout a system without danger of extraneous contamination, even with the system at full working pressure and temperature.

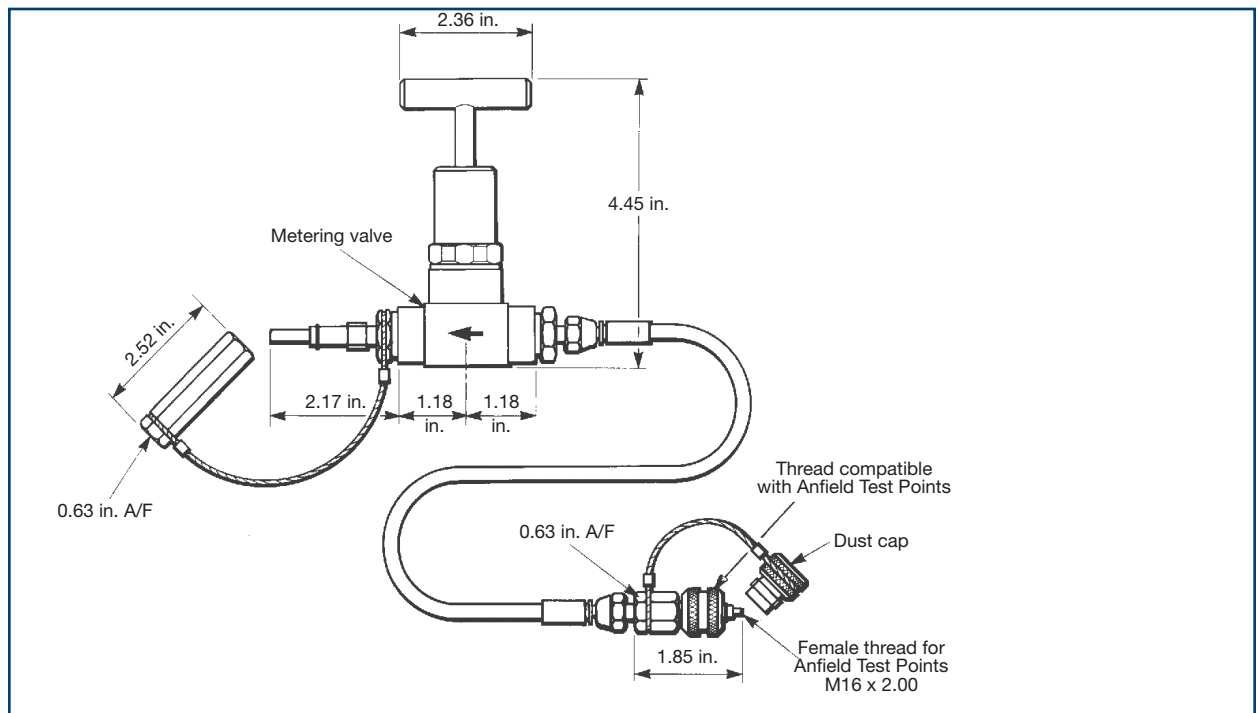


**FLUID SAMPLING KIT**

## TECHNICAL DATA

- Designed for off-line bottle sampling
- Adjustable flow control for steady state samples
- Operates up to 6000 PSI (414 BAR) system pressure
- Viton seals are standard -20°C to 200°C / -4°F to 392°F

## DIMENSIONS



Part #	Length of Hose
HSP690-CMV	40" (1000 MM)